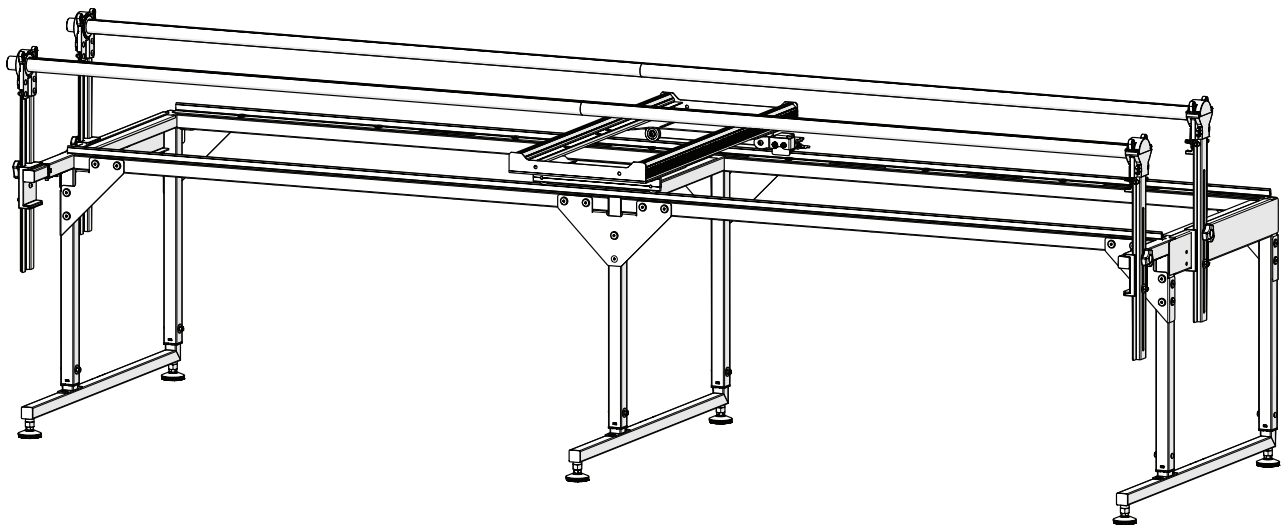


Q-Zone *Queen*

Assembly Instructions



My Frame Details

Use this page to record information about your frame. This will be helpful if you ever need to call a Grace Company support technician.

Frame Type: Q-Zone Queen

Frame Configuration: Queen Crib

Date of Purchase: _____

What Machine are You Using? _____

Select Which Frame Accessories You Have Purchased:

Table Inserts

Speed Control

Start-Right Cloth Leaders

Gracie Laser

QuiltMotion

Sure Stitch

Pattern Perfect

Sure Stitch Elite

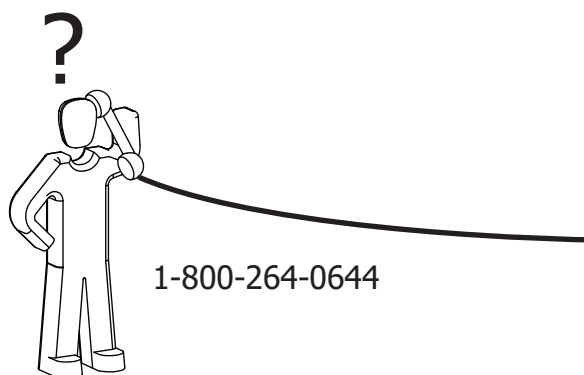
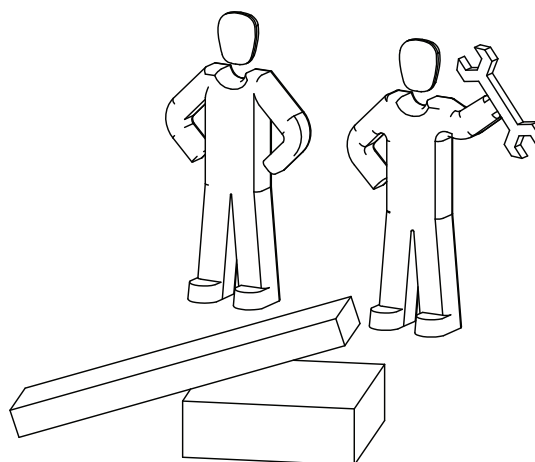
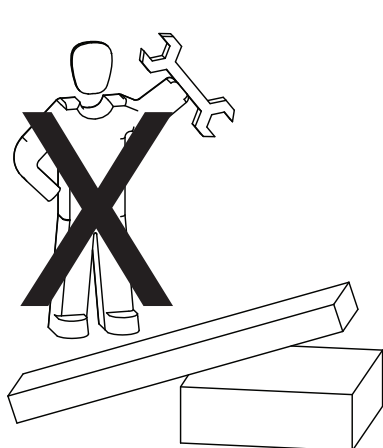
G-Series Top Plate

Luminess Light Bar

Power Strip Accessory

Warranty Information

The Q-Zone Queen Quilting Frame has a One-Year limited warranty on all parts. The Grace Company will repair or replace, at its discretion, any part with problems due to our manufacturing or defects in materials. This warranty does not cover parts damaged through misuse, improper storage, improper assembly, loss, natural events, and willful destruction. Parts must be returned to the Grace Company, shipping prepaid, before we can repair or replace them. We will promptly return the repaired/replaced part at our expense if done within a year of the purchase date.



The *Grace Company*
Innovative Sewing Products

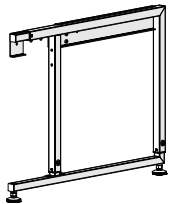
Table of Contents

My Frame Details.....	3
Warranty Information.....	4
Table of Contents.....	5
Included Parts and Tools	6
Welcome to Your Q-Zone Queen Frame	10
Assembly Options.....	12
Queen Assembly	13
Queen Assembly Part One	14
Task 1 - Set the Frame Height	15
Task 2 - Install the Cross Support Tubes.....	18
Task 3 - Install and Align the Tracks	22
Task 4 - Install the Single Wheel Channel Lock.....	25
Task 5 - Install the Rail Holder Brackets.....	26
Queen Assembly Part Two	28
Task 6 - Install the Dual-Wheel Channel Lock.....	29
Queen Assembly Part Three.....	32
Task 7 - Install the Rails	33
Task 8 - Adjust the Rails.....	38
Task 9 - Leveling the Frame.....	40
Crib Assembly.....	44
Crib Assembly Part One	45
Task 1 - Set the Frame Height	46
Task 2 - Install the Cross Support Tubes.....	49
Task 3 - Install and Align the Tracks	52
Task 4 - Install the Single Wheel Channel Lock.....	55
Task 5 - Install the Rail Holder Brackets.....	56
Crib Assembly Part Two	58
Task 6 - Install the Dual-Wheel Channel Lock.....	59
Crib Assembly Part Three	62
Task 7 - Install the Rails	63
Task 8 - Adjust the Rails.....	67
Task 9 - Leveling the Frame.....	70
Part Four.....	74
Task 10 - Attaching the Fabric.....	75
Task 11 - Using the Rails	82

Included Parts and Tools

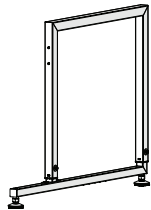
Box 1

Left Leg Assembly



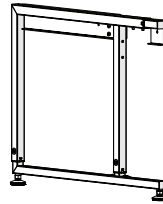
QZF-09-13058
See page 15, 46

Middle Leg Assembly



QZF-09-13059
See page 7

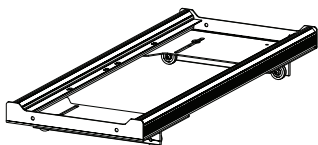
Right Leg Assembly



QZF-09-13060
See page 15, 46

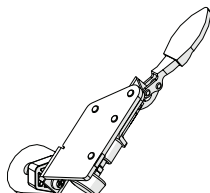
Carriage Box

Bottom Carriage



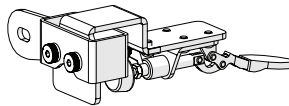
ACC-01-11950
See page 32, 22

Dual-Wheel Channel Lock



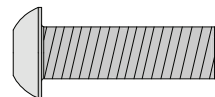
ACC-09-13057
See page 32, 59

Single Wheel Channel Lock



ACC-09-13056
See page 25, 55

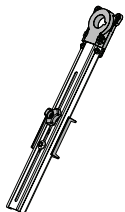
**SBHCS
M6 x 20 mm**



HDW-03-10088

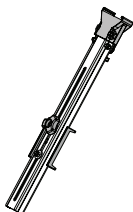
Rail Holder Bracket Box

Left Rail Holder Bracket (x2)



QZF-09-13128
See page 26, 56

Right Rail Holder Bracket (x2)

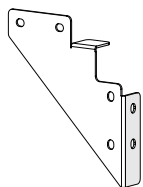


QZF-09-13129
See page 26, 56

Included Parts and Tools (continued)

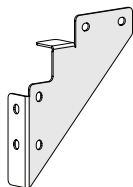
Hardware Box

**Corner Leg Brace
Side A (x2)**



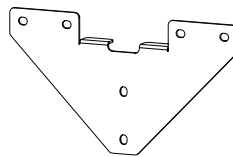
QZH-04-12031
See page 18, 49

**Corner Leg Brace
Side B (x2)**



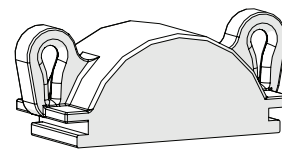
QZH-04-16326
See page 18, 49

**Middle
Leg Brace (x2)**



QZF-04-12060
See page 18

Ratchet Cap (x2)



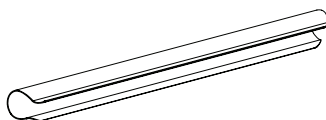
QZF-05-10315
See page 33, 63

**Bungee Clamp
Accessory (x4)**



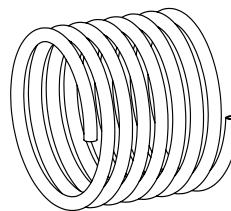
ACC-01-10261
See page 75

C-Clamp (x4)



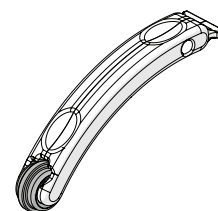
QZF-05-10621
See page 75

**Fabri-Fast
Tubing (x2)**



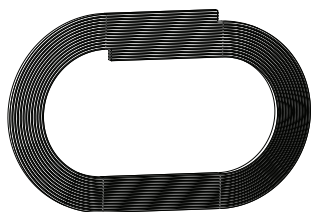
PLA-05-10408
See page 75

Fabri-Fast Tool



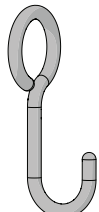
ACC-05-10417
See page 75

Long Track (x2)



QZF-05-12057
See page 22

**Reference
Card Hook**

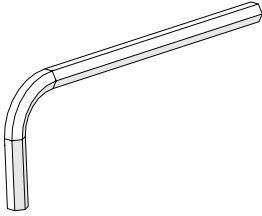


HDW-03-16369
See page 18, 49

Included Parts and Tools (continued)

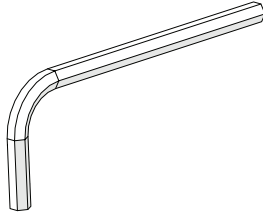
Bagged Hardware

**Allen Wrench
3 mm**



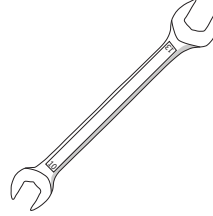
HDW-03-10166

**Allen Wrench
4 mm**



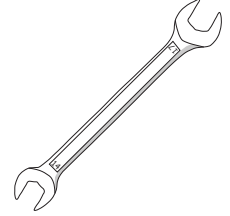
HDW-03-10167

**Open End Wrench
10 mm and 13 mm**



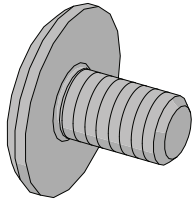
HDW-03-10743

**Open End Wrench
14 mm and 17 mm**



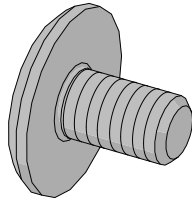
HDW-03-12068

**Connector Bolt
M6 x 10 mm (x36)
for task 2**



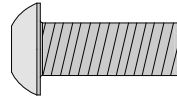
HDW-03-10953

**Connector Bolt
M6 x 10 mm (x16)
for task 3**



HDW-03-10953

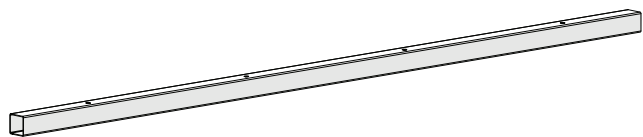
**SBHCS
M6 x 16 mm (x4)
for task 5**



HDW-03-10974

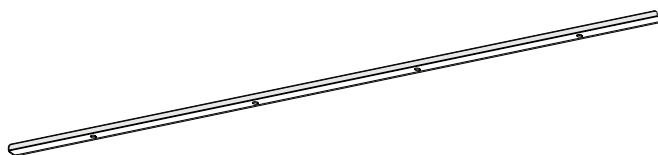
Box 2

Frame Cross Support Tube (x4)



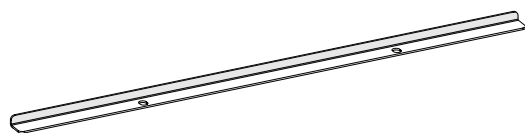
QZF-04-12061
See page 18, 49

Long Track Support (x2)



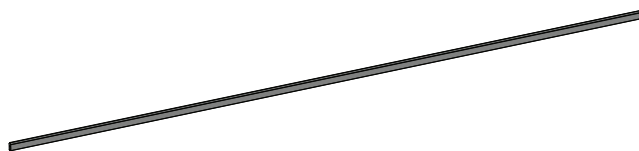
QZF-04-12058
See page 22, 52

Short Track Support (x4)



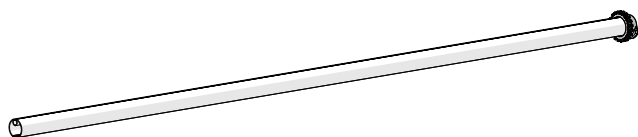
QZF-04-12059
See page 22

Short Track (x2)



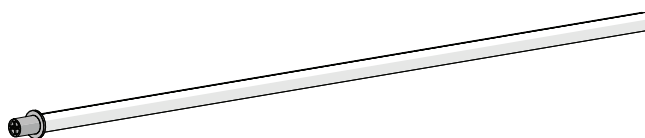
QZF-05-12067
See page 52

Ratcheting Rail Section (x2)



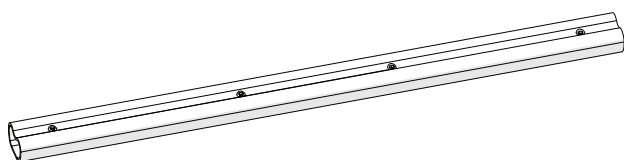
QZF-09-13067
See page 33, 63

Floating Rail Section (x2)



QZF-09-13068
See page 33, 63

Rail Coupler (x2)



QZF-09-13131
See page 33

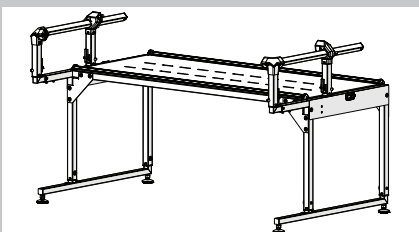
Welcome to Your Q-Zone Queen Frame

We are pleased to introduce you to the newest part of your quilting setup. This frame has been especially designed to help quilters like you have the tools available to create quality projects.

This manual is broken into four sections (or parts). Notifications at the end each of each section will direct you to switch to your machine manual or QuiltMotion manual for instructions on assembling those products. This creates a streamlined process of building a complete quilting setup in the most efficient way. Use the following flowchart to guide you in navigating multiple manuals. If you are not using one of the products in the flowchart, just move to the next item in the chart.

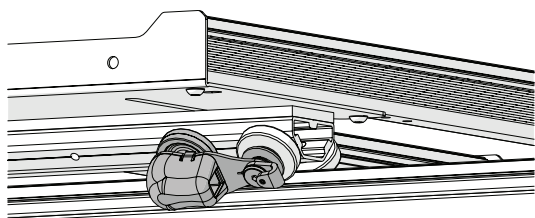
Thank you again for choosing us to help your quilting projects. We look forward to working with you.

- The Grace Company



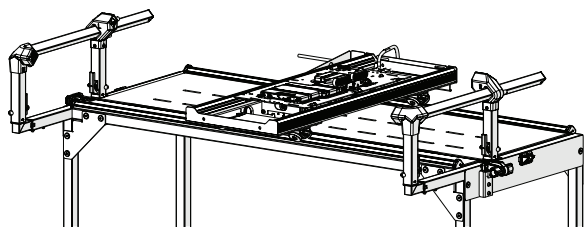
Start Here: Frame Manual: Part One

- Assemble the frame's legs, table, and sides.
- Install the channel lock onto the bottom carriage.
- Align your tracks.



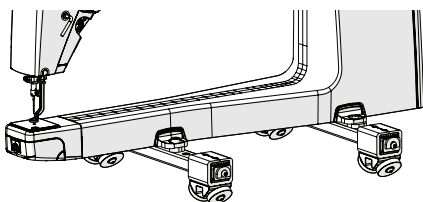
Quilting Machine Manual: Part One

- Install the lower encoder onto the bottom carriage.



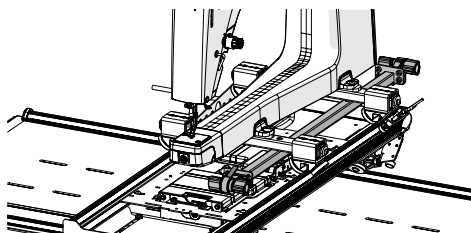
QuiltMotion Manual: Part One

- Prepare the bottom carriage.
- Install the long belt across the frame.



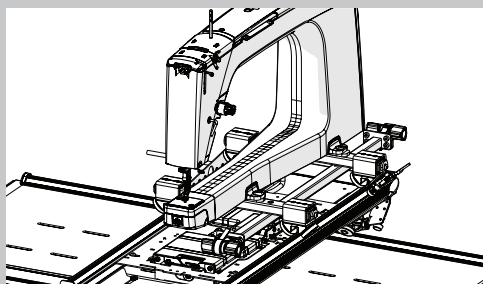
Quilting Machine Manual: Part Two

- Install your machine's wheels.
- Align your wheels.



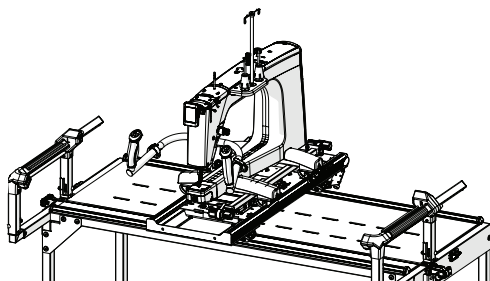
QuiltMotion Manual: Part Two

- Install the short belt.
- Tension the short belt.



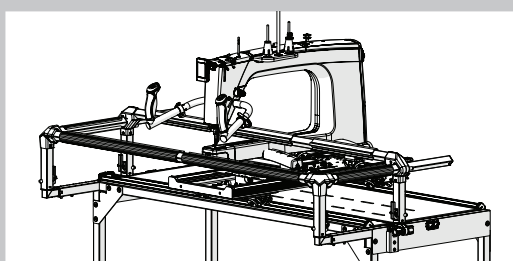
Frame Manual: Part Two

- Install the channel lock on the machine or top plate.
- Prepare the top plate and home sewing machine.
- Place the machine or top plate on the frame.



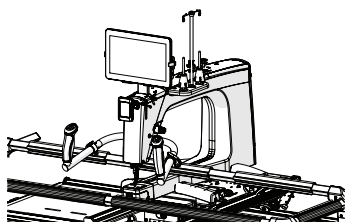
Quilting Machine Manual: Part Three

- Install the wheel covers, display, handles, thread mast.
- Install the upper encoder.



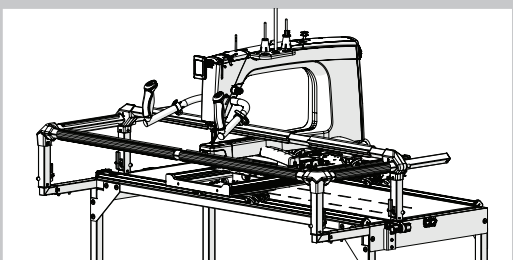
Frame Manual: Part Three

- Install the rails and fabric bungees.
- Position and adjust the rails.
- Adjust the carriage stop.
- Level the frame.



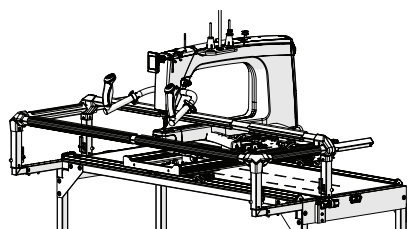
QuiltMotion Manual: Part Three

- Install the tablet bracket.
- Plug in QuiltMotion.



Frame Manual: Part Four

- Install the velcro tape
- Install the cloth leaders
- Attach the fabric

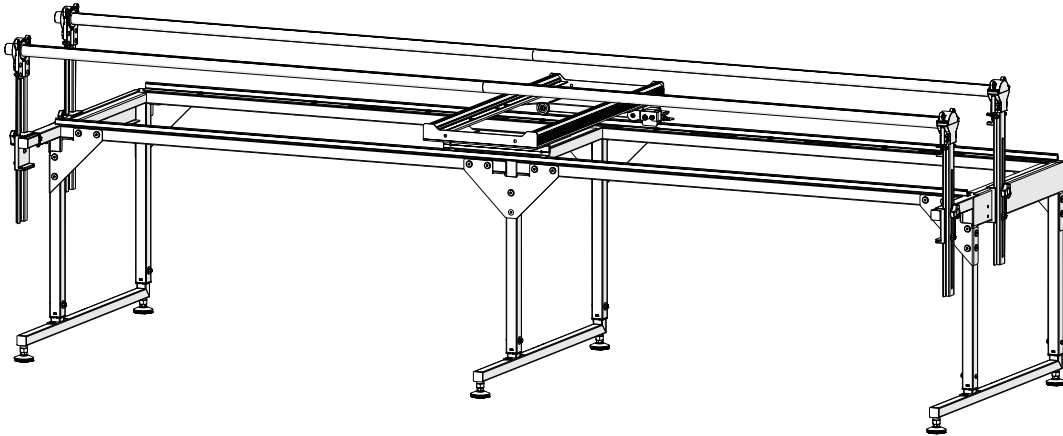


Quilting Machine Manual: Part Four

- Use the quilting modes and settings in the display.
- Maintain the machine and perform repairs.

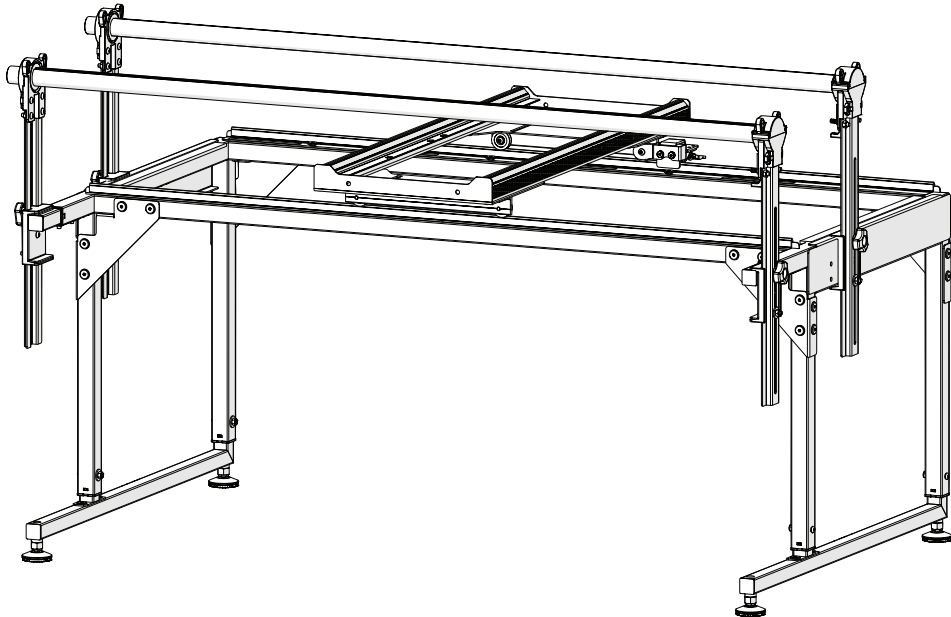
Assembly Options

Queen Assembly See page 13



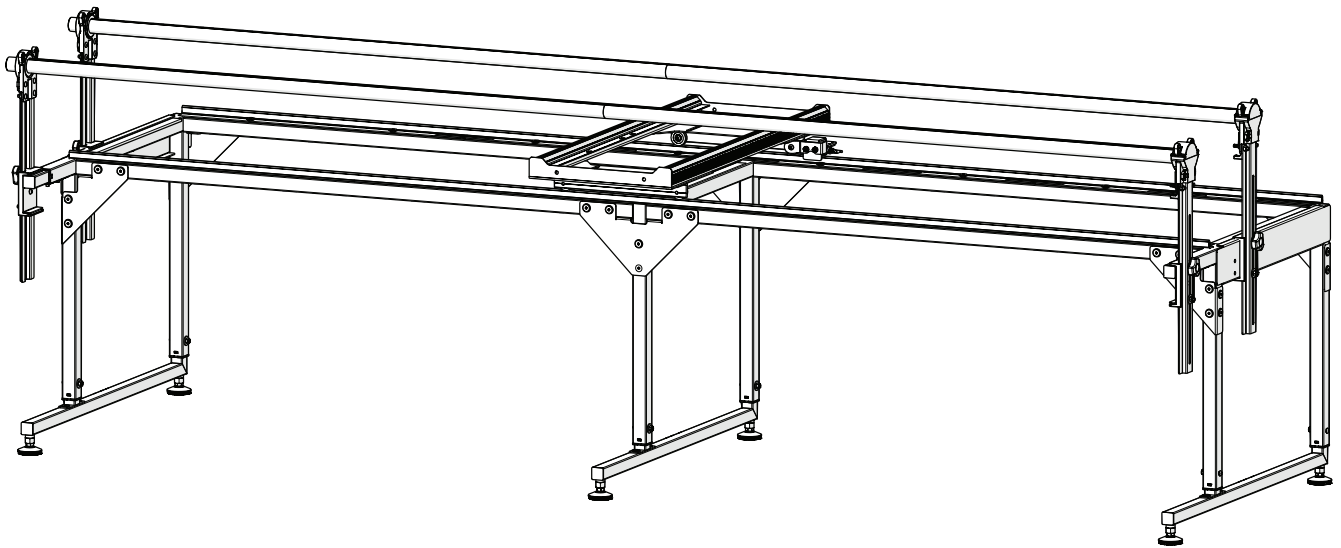
Fits quilt tops up to 76 inches wide

Crib Assembly See page 44



Fits quilt tops up to 26 inches wide

Queen Assembly



Queen Assembly Part One

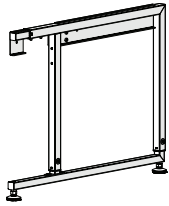
Progress Checkpoint

Complete Part One of these instructions before assembling your quilting machine or any accessories. The beginning of each Part will contain a progress checkpoint, helping make sure you accomplish all of the tasks necessary to complete your quilting setup in the most convenient order.

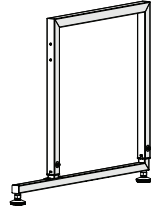
Task 1 - Set the Frame Height

Parts & Tools Needed:

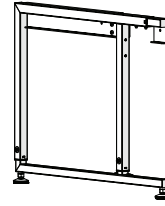
Left Leg Assembly



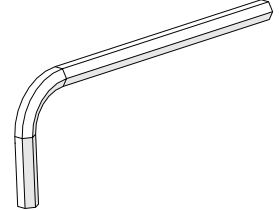
Middle Leg Assembly



Right Leg Assembly



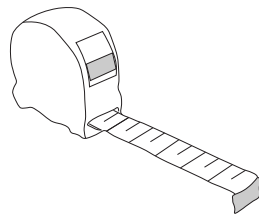
**Allen Wrench
4 mm**



**Open End Wrench
10 mm and 13 mm**



Tape Measure

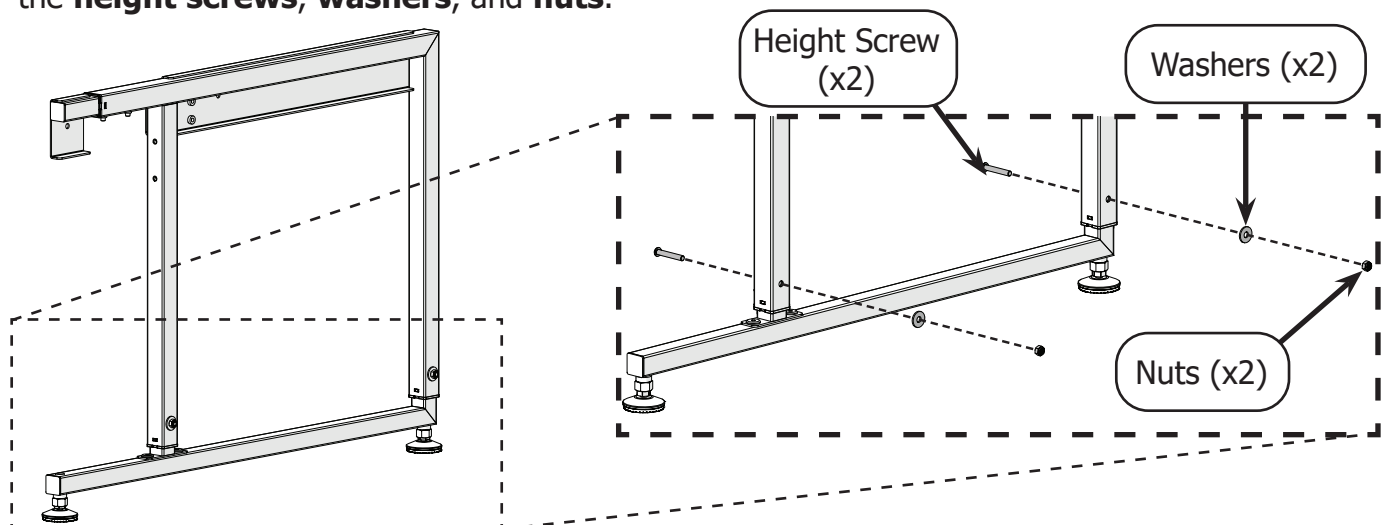


(not included)

Instructions

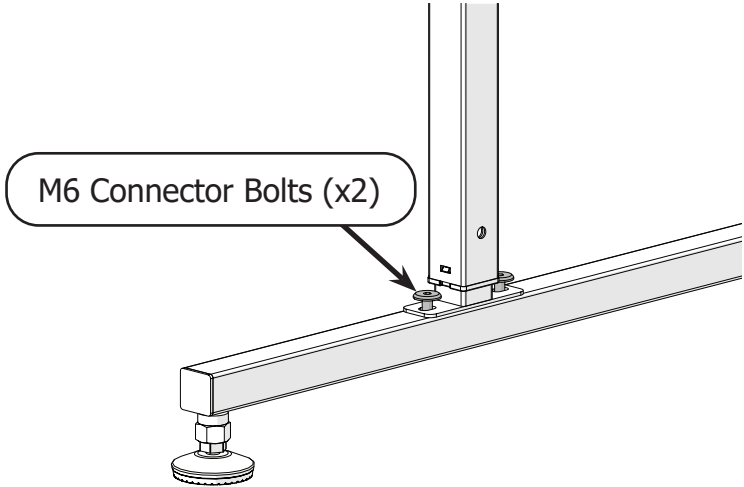
The frame height is important for comfortable prolonged use. Ideally, when fully assembled the handlebars on your machine or top plate will be around elbow height. Take the following steps to set your frame height:

- 1 Begin with the left leg. With the 4 mm Allen wrench and the 10 mm open end wrench, remove the **height screws, washers, and nuts**.



Task 1 - Set the Frame Height (continued)

- 2 Use the 4 mm Allen wrench to loosen, but not remove, the two **M6 connector bolts**.



- 3 Hold your arm at a 90 degree angle. Use a tape measure to measure the distance from your elbow to the floor.

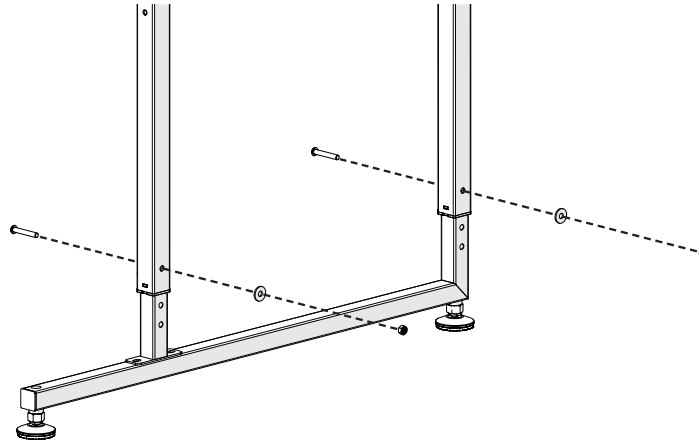


Hole Number	Elbow to Floor
1	37 1/2 Inches
2	38 1/2 Inches
3	39 1/2 Inches
4	40 1/2 Inches
5	41 1/2 Inches
6	42 1/2 Inches
7	43 1/2 Inches
8	44 1/2 Inches
9	45 1/2 Inches
10	46 1/2 Inches

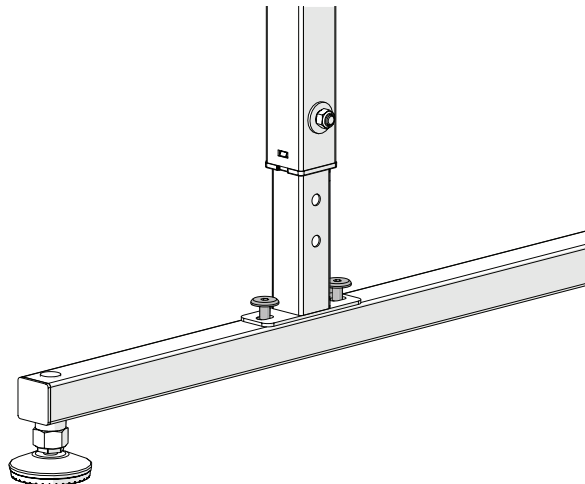
Note: Height will vary slightly after adjusting leveling feet in Task 9 on page 40.

Task 1 - Set the Frame Height (continued)

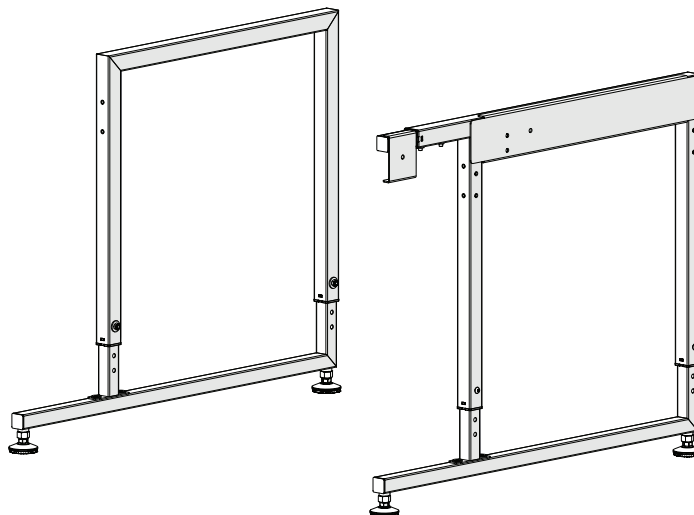
- 4 Set your frame leg to the corresponding hole and secure in place with the screws, washers, nuts, 4 mm Allen wrench, and 10 mm open end wrench.



- 5 Use the 4 mm Allen wrench to re tighten the M6 connector bolts.



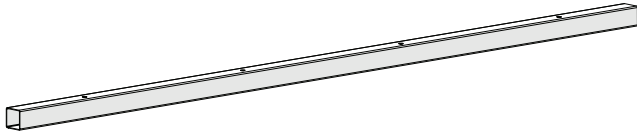
- 6 Repeat steps 1-4 for the middle leg and the right leg, making sure to set them to the same height as the left leg.



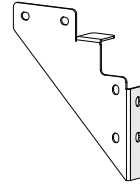
Task 2 - Install the Cross Support Tubes

Parts & Tools Needed:

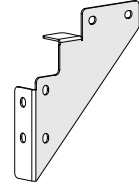
Frame Cross Support Tube (x4)



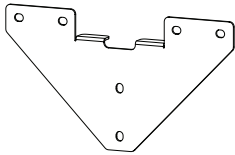
Corner Leg Brace Side A (x2)



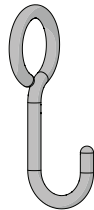
Corner Leg Brace Side B (x2)



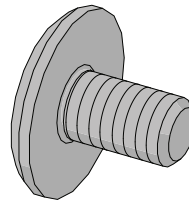
Middle Leg Brace (x2)



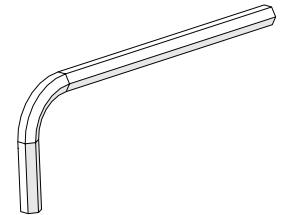
Reference Card Hook



Connector Bolt M6 x 10 mm (x36)



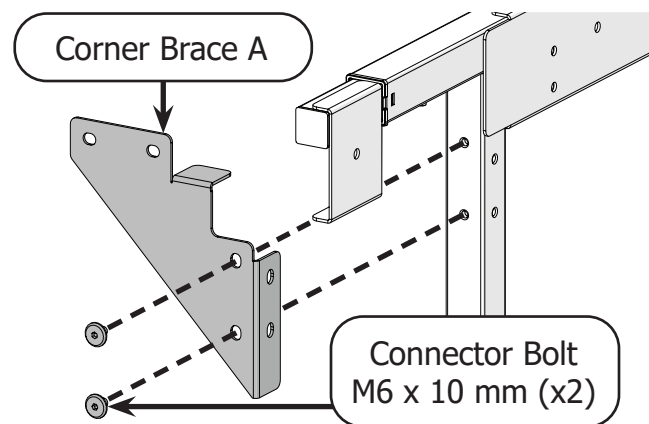
Allen Wrench 4 mm



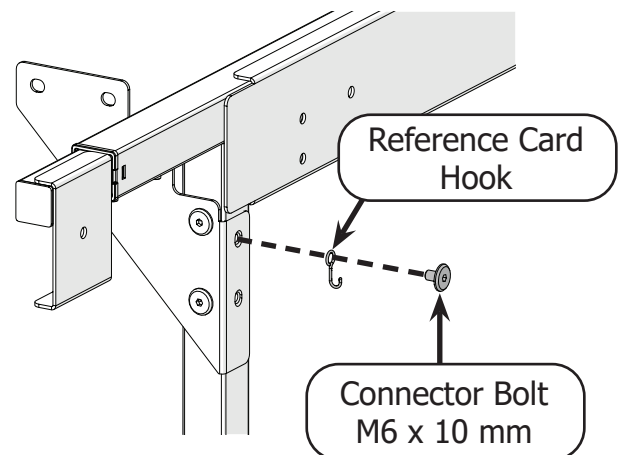
Instructions

Take the following steps to attach the leg braces to the legs and install the frame cross support tubes:

- 1 Begin with the right leg. Use the 4 mm Allen wrench and two **M6 x 10 mm connector bolts** to loosely attach a **corner brace side A** to the front of the leg.

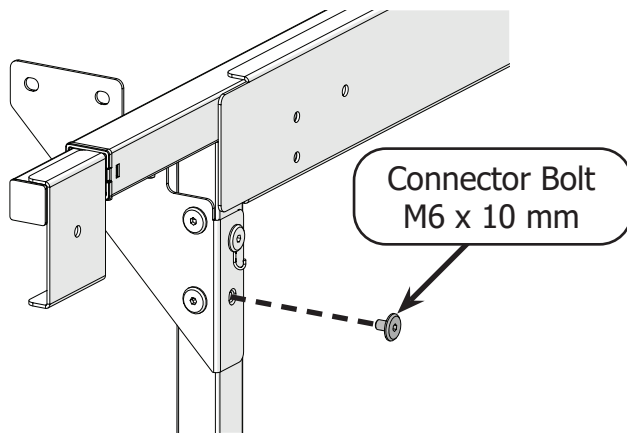


- 2 Loosely connect the **reference card hook** to the side of the corner bracket with an **M6 x 10 mm connector bolt**.

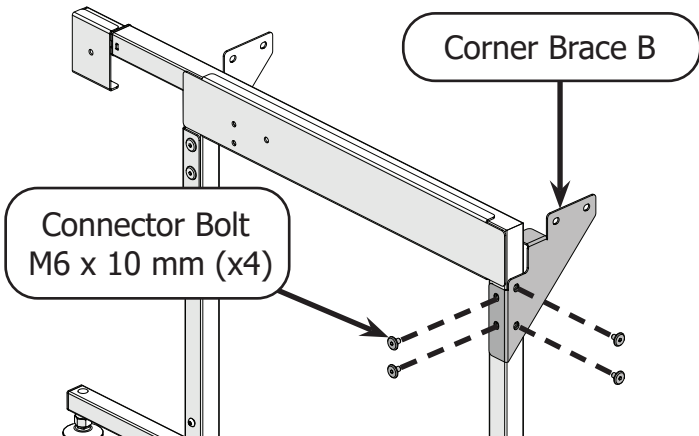


Task 2 - Install the Cross Support Tubes (continued)

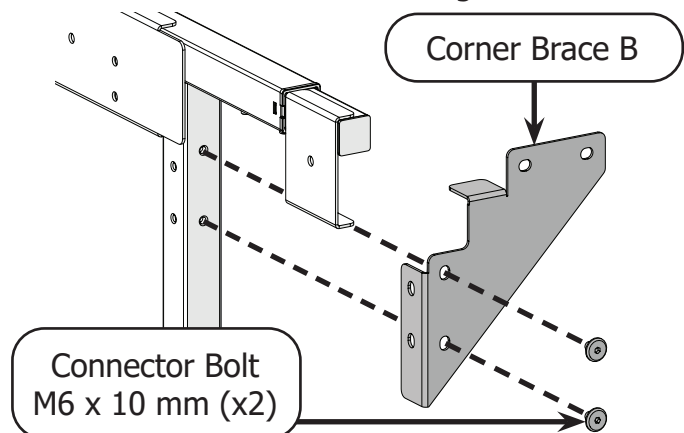
- 3 Loosely attach a second **M6 x 10 connector bolt** to the side of the corner brace.



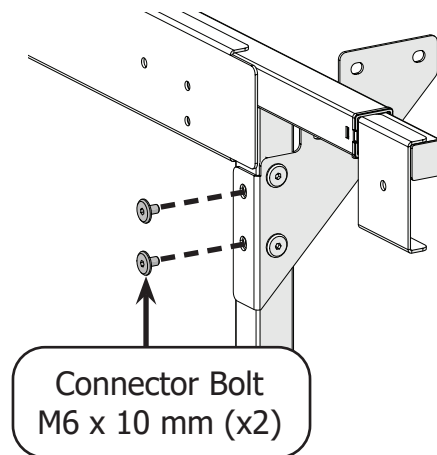
- 4 Use the 4 mm Allen wrench and loosely attach a **corner brace side B** to the back of the right leg with four **M6 x 10 connector bolts**.



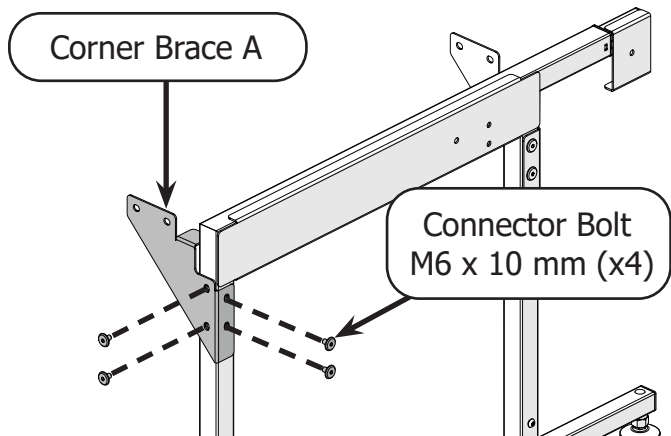
- 5 Take the left leg and use the 4 mm Allen wrench and two **M6 x 10 mm connector bolts** to loosely attach a **corner brace side B** to the front of the leg.



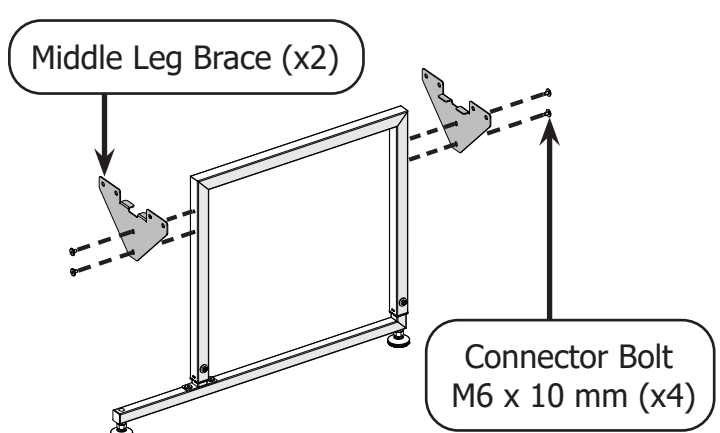
- 6 Loosely screw in two more **M6 x 10 mm connector bolts** in the brace holes on the side of the leg.



- 7 Use the 4 mm Allen wrench and loosely attach a **corner brace side A** to the back of the left leg with four **M6 x 10 connector bolts**.

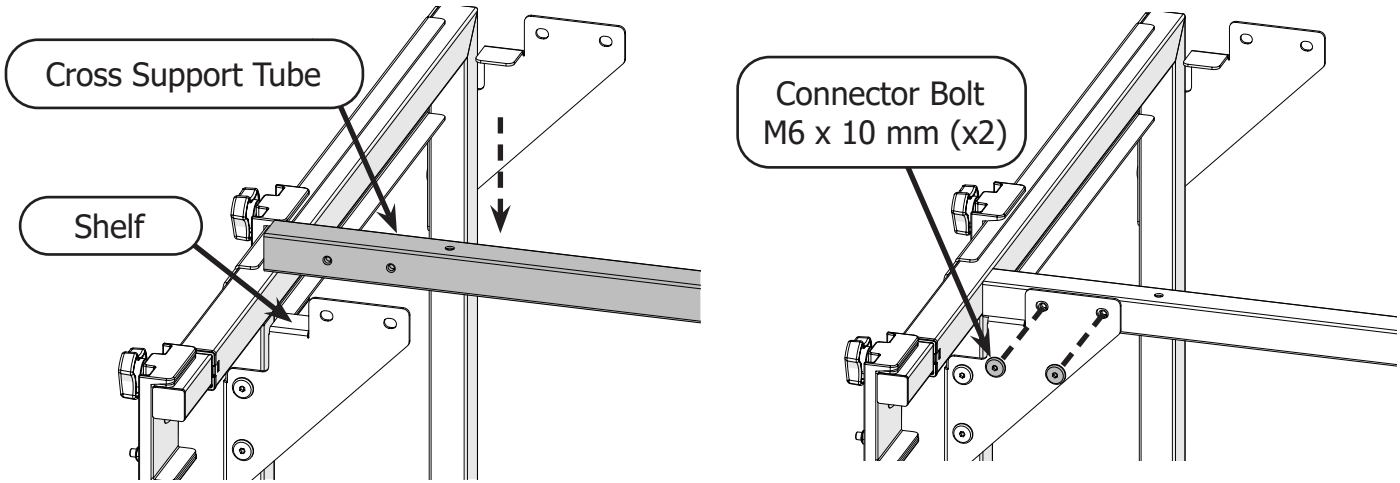


- 8 Loosely attach the two **middle leg braces** to the middle leg using four **M6 x 10 mm connector bolts** and the 4 mm Allen wrench.

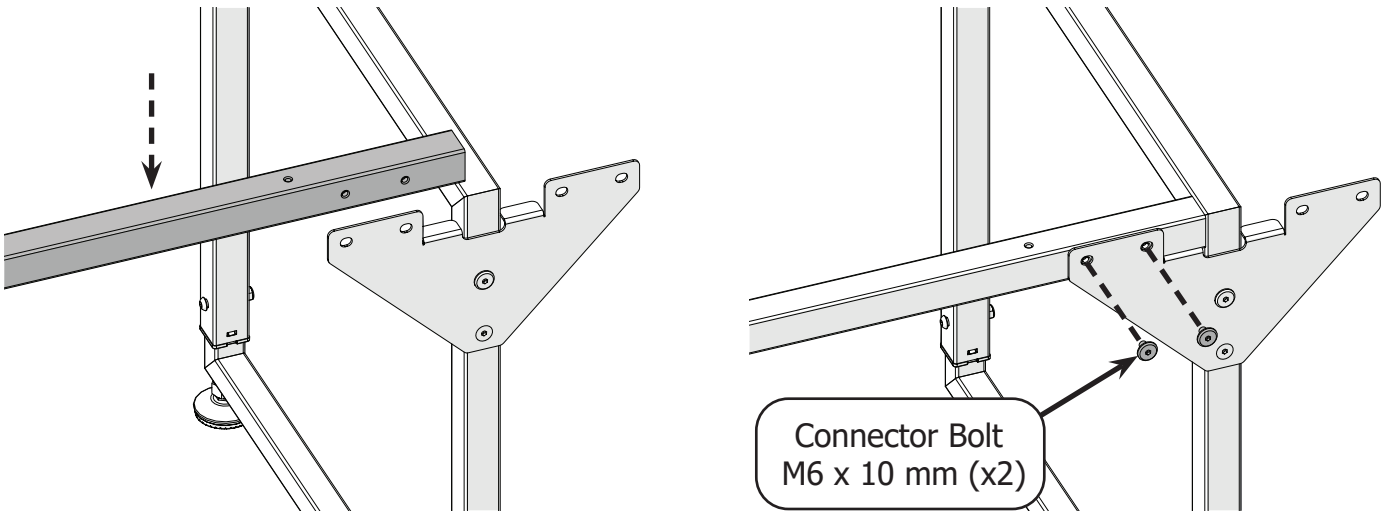


Task 2 - Install the Cross Support Tubes (continued)

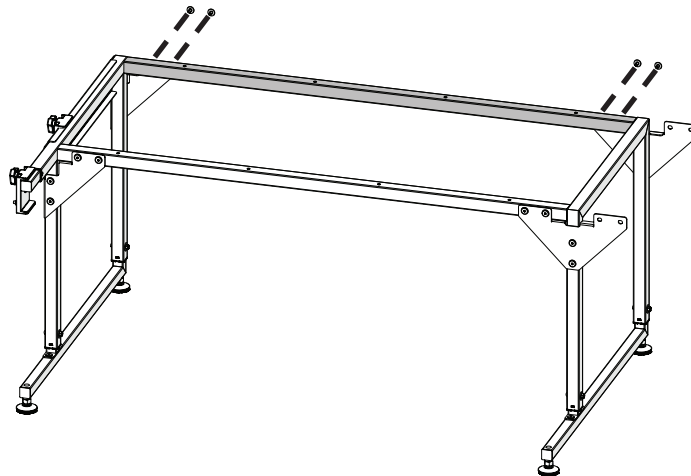
- 9 Place the end of a **cross support tube** so that it rests on the **shelf** of the corner bracket on the front of the left leg. Loosely attach it with two M6 x 10 connector bolts and the 4 mm Allen wrench.



- 10 Loosely attach the other end of the cross support tube to the front brace on the middle leg using two **M6 x 10 mm connector bolts** and the 4 mm Allen wrench.

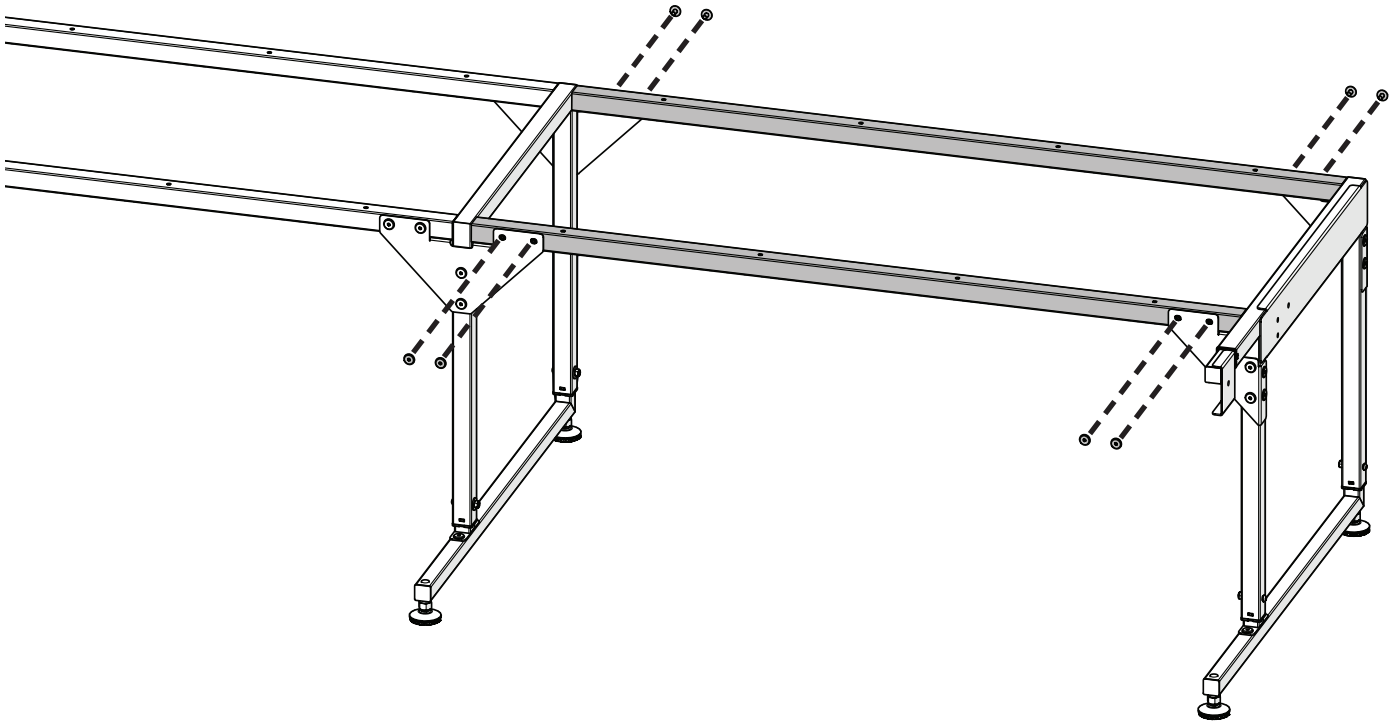


- 11 Repeat steps 8-9 for the rear cross support tube.

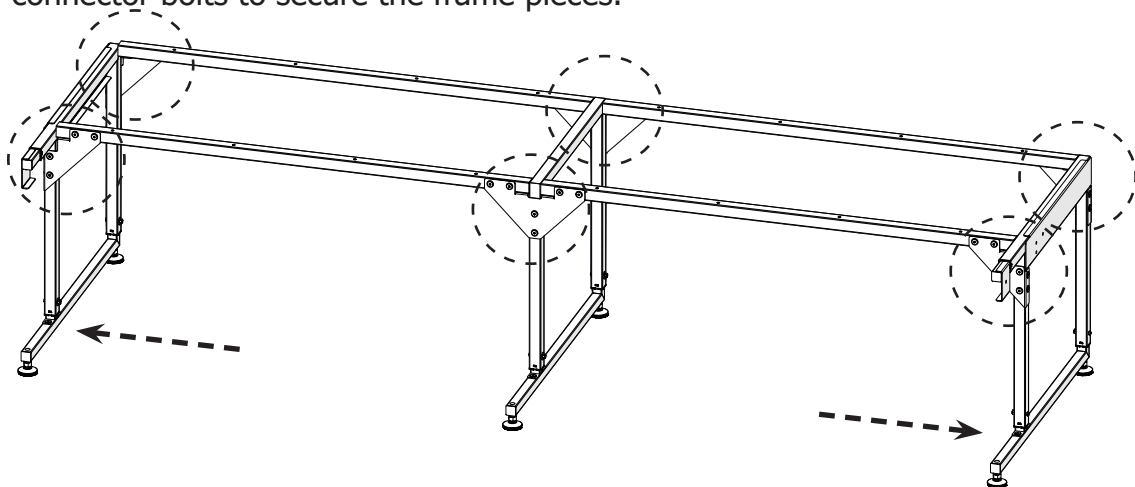


Task 2 - Install the Cross Support Tubes (continued)

- 12 Stand up the right leg and repeat steps 8-10 for the other two cross support tubes.



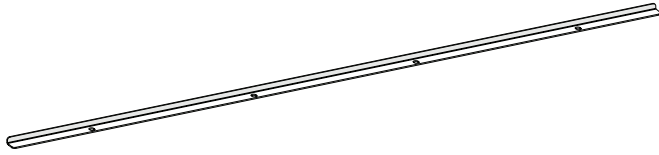
- 13 Once the braces and tubes are all in place, pull the bottoms of the left and right legs outwards to make sure they are square with the cross support tubes. Go around and tighten all 36 M6 x 10 mm connector bolts to secure the frame pieces.



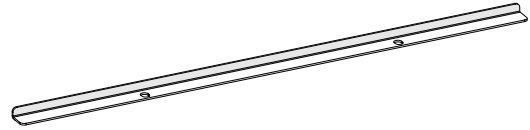
Task 3 - Install and Align the Tracks

Parts & Tools Needed:

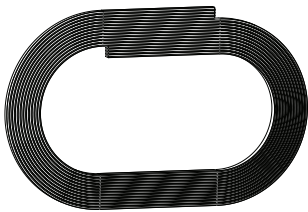
Long Track Support (x2)



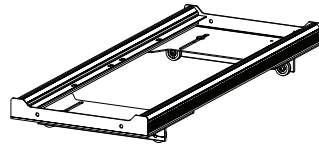
Short Track Support (x4)



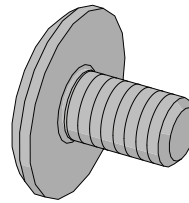
Long Track (x2)



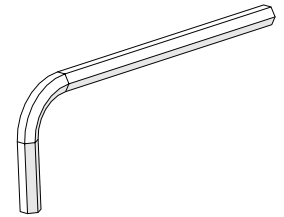
Bottom Carriage



Connector Bolt M6 x 10 mm (x16)



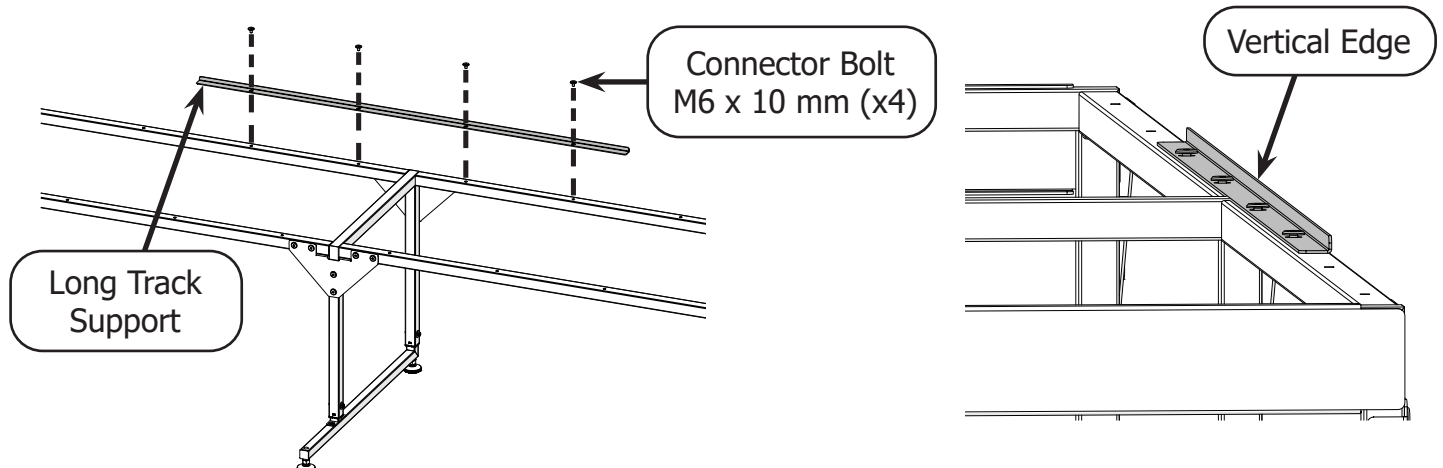
Allen Wrench 4 mm



Instructions

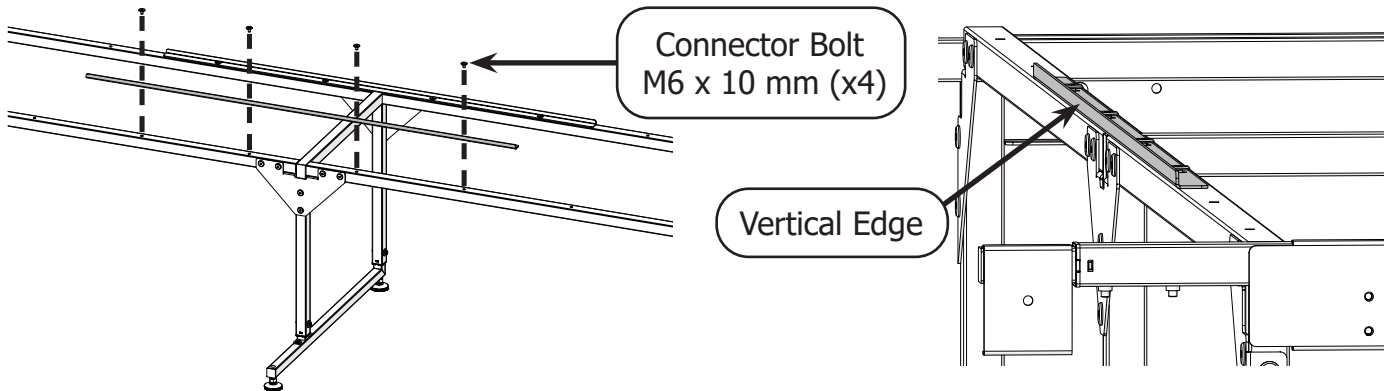
Take the following steps to install and align the frame tracks:

- 1 Center a **long track support** over the back of the middle leg. Make sure the **vertical edge** is towards the back of the frame. Loosely attach the track support with four **M6 x 10 mm connector bolts** and the 4 mm Allen wrench.

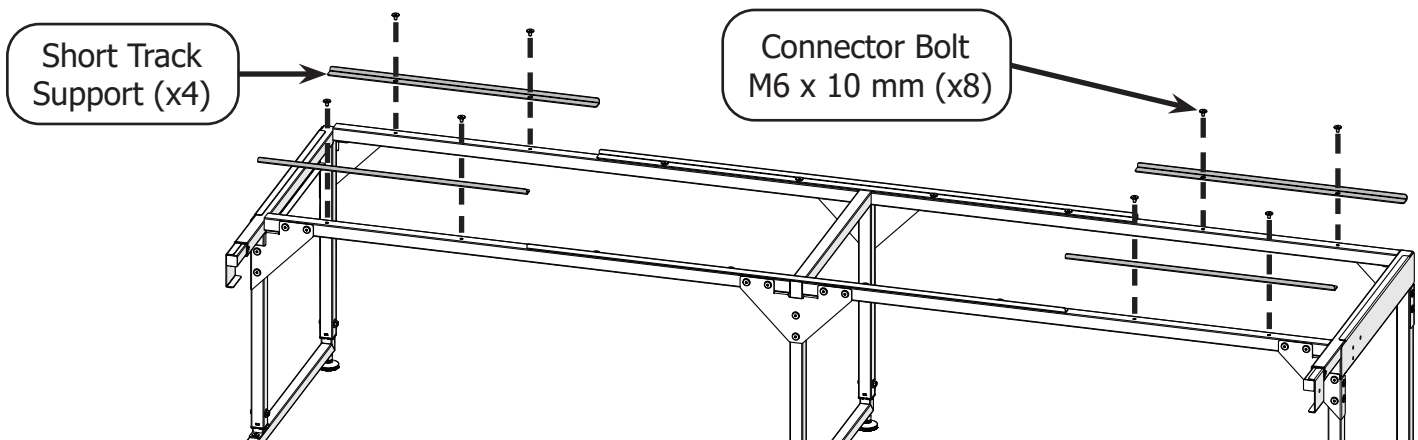


Task 3 - Install and Align the Tracks (continued)

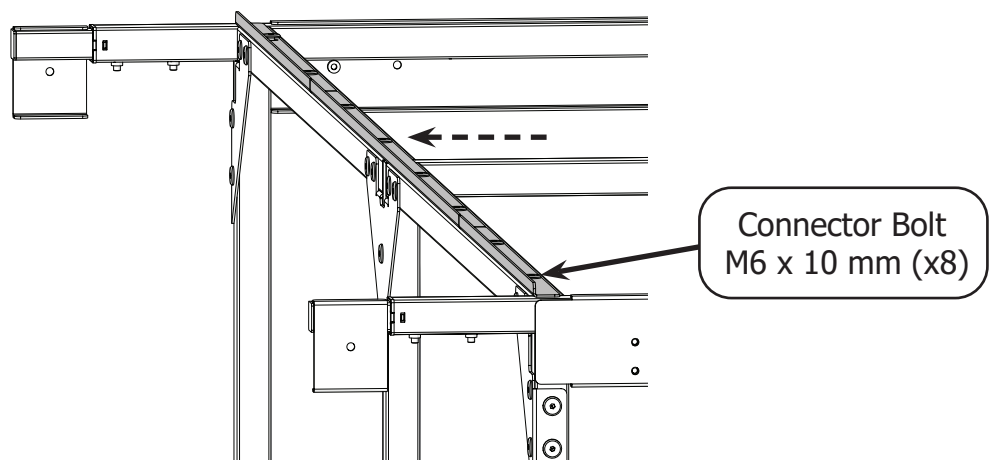
- 2 Install the other long track support over the front of the middle leg. Make sure the **vertical edge** is towards the front of the frame. Loosely attach the track support with four **M6 x 10 mm connector bolts** and the 4 mm Allen wrench.



- 3 Install the four **short track supports**, lining them up with the long track supports that are already installed. Loosely attach the track supports with eight **M6 x 10 mm connector bolts** and the 4 mm Allen wrench.

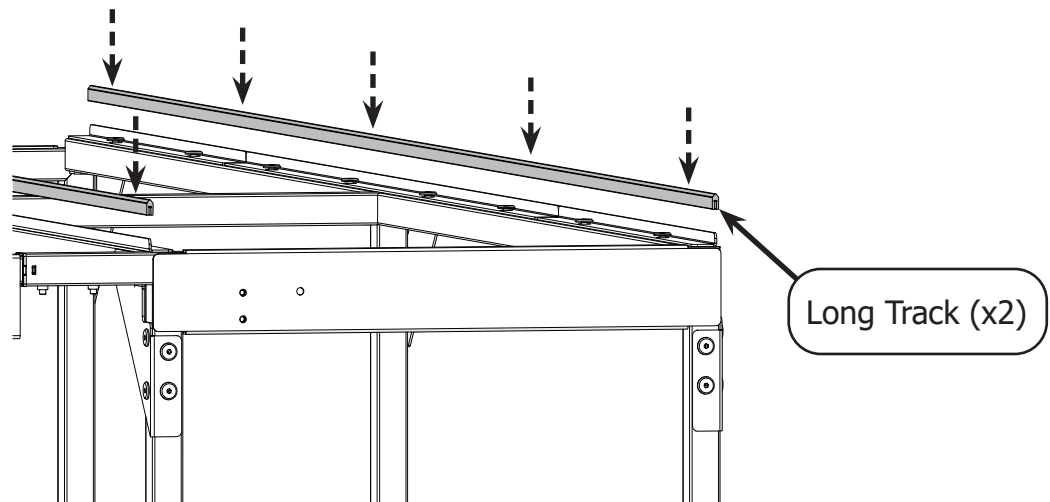


- 4 Adjust the front track supports until the vertical edges are flush with the front of the cross support tubes. Tighten the eight front **M6 x 10 mm connector bolts** with the 4 mm Allen wrench.

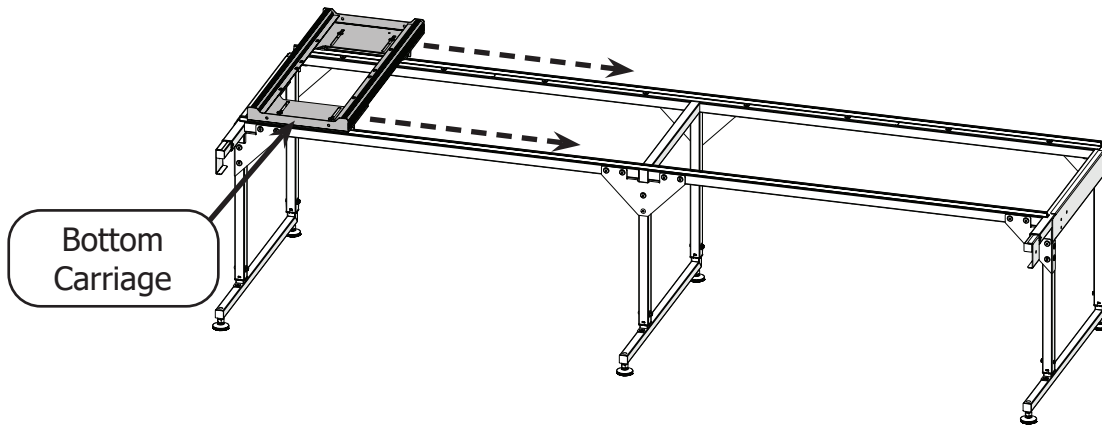


Task 3 - Install and Align the Tracks (continued)

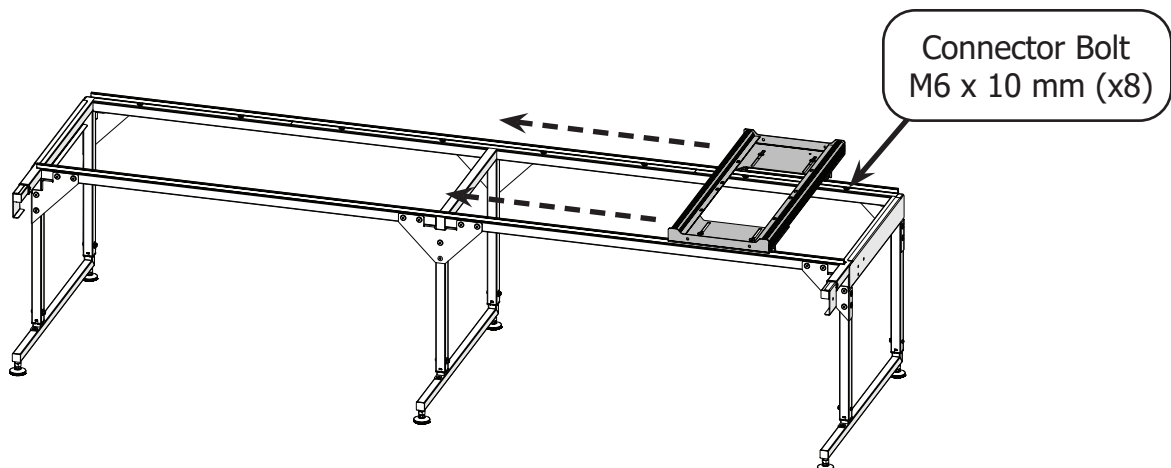
- 5 Firmly press the **long track** onto the front and back track supports for the whole length of the frame. Be sure not to leave any space in between the tracks and track supports.



- 6 Place the **bottom carriage** on the tracks at the left end of the frame. Align the back track by pressing on the carriage as you slowly move it across the frame.



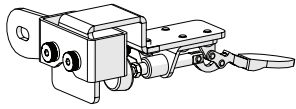
- 7 Move the bottom carriage back across the frame. After you pass each of the rear **M6 connector bolts**, pause to tighten them.



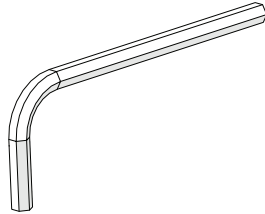
Task 4 - Install the Single Wheel Channel Lock

Parts & Tools Needed:

**Single Wheel
Channel Lock**



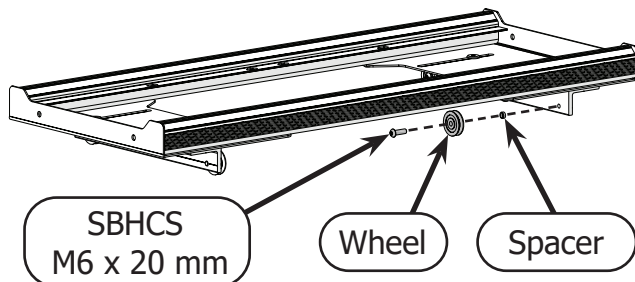
**Allen Wrench
4 mm**



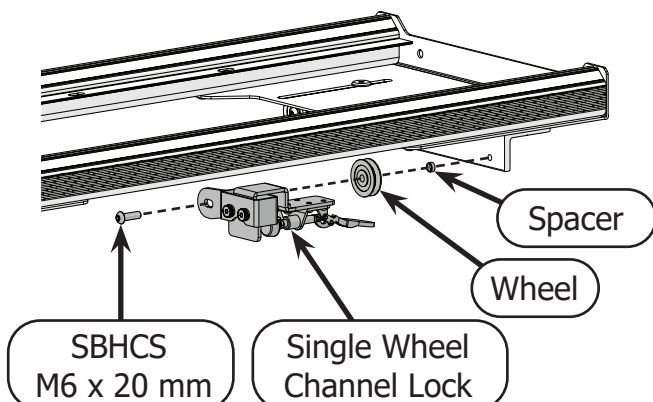
Instructions

The single wheel channel lock helps hold your bottom carriage in place on the frame. Take the following steps to install the channel lock to the bottom carriage:

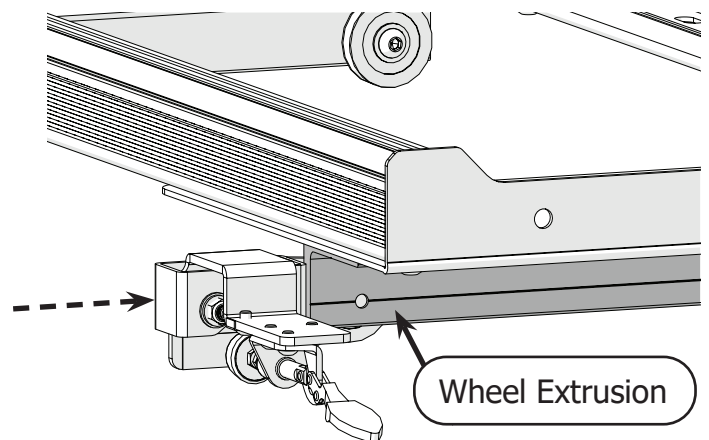
- 1 Use the 4 mm Allen wrench to remove the right rear **M6 x 20 mm SBHCS**, **wheel**, and **spacer** from the carriage.



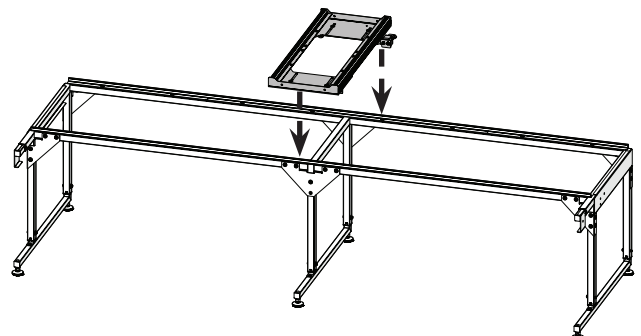
- 2 Install the single wheel channel lock with the **M6 x 20 mm SBHCS**, **wheel**, and **spacer**. Do not fully tighten the screw.



- 3 Position the channel lock even with the side of the **wheel extrusion**. Use the 4 mm Allen wrench to tighten in place.



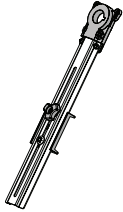
- 4 Return the bottom carriage to the frame with the channel lock in the rear.



Task 5 - Install the Rail Holder Brackets

Parts & Tools Needed:

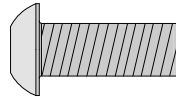
Left Rail Holder
Bracket (x2)



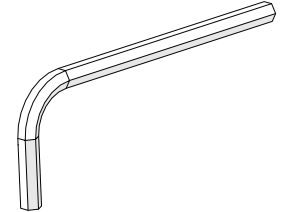
Right Rail Holder
Bracket (x2)



SBHCS
M6 x 16 mm (x4)



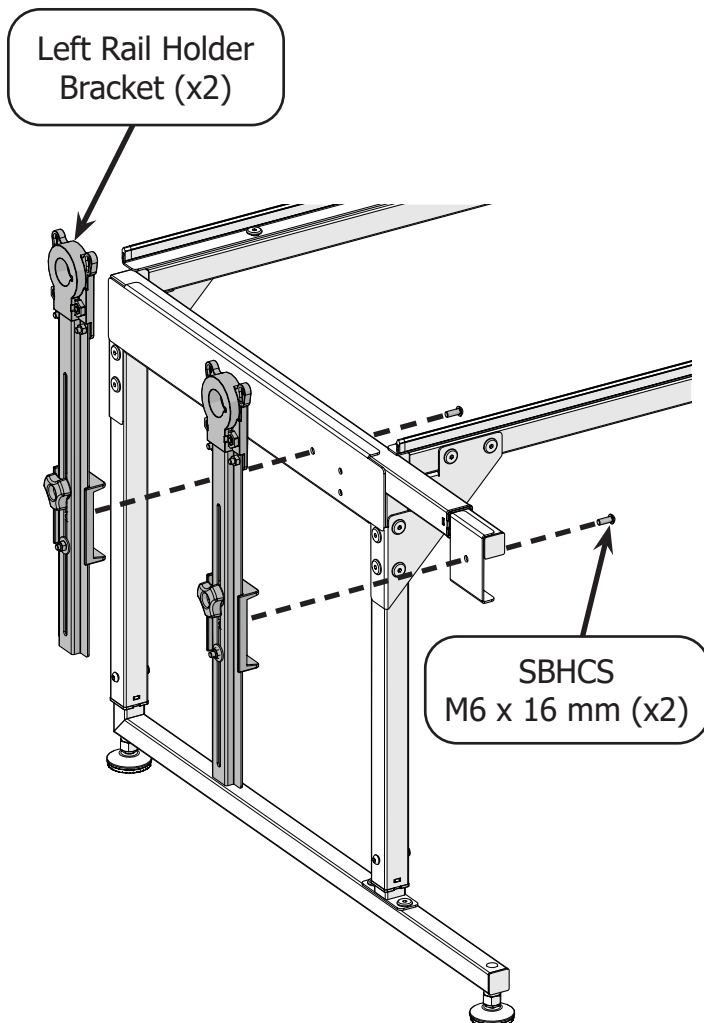
Allen Wrench
4 mm



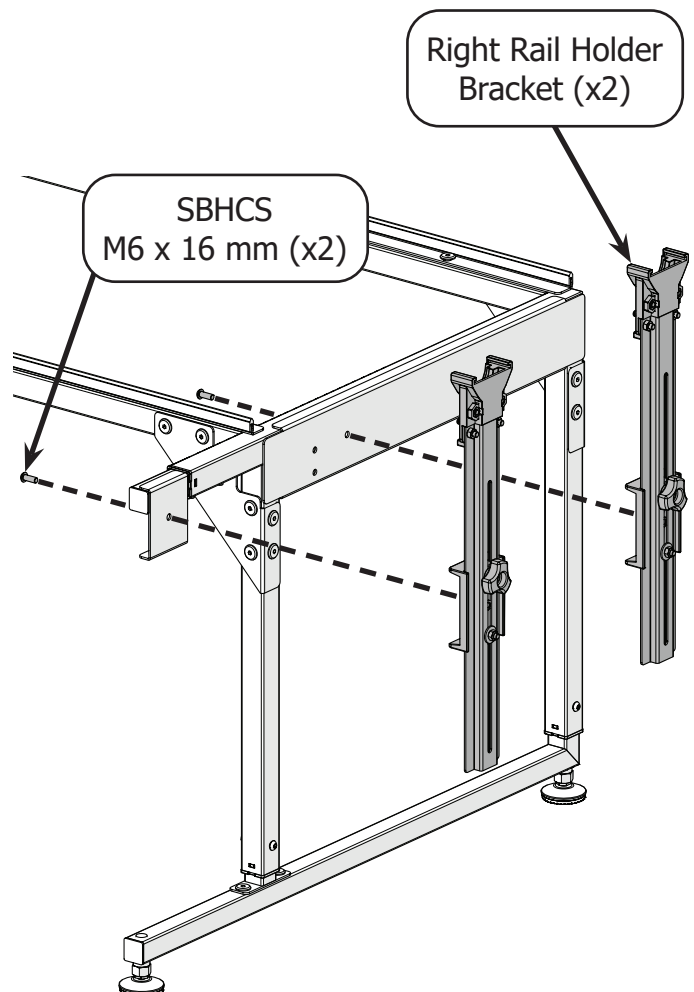
Instructions

Take the following steps to install the rail holder brackets:

- 1 Use the 4 mm Allen wrench and two **M6 x 16 mm SBHCS** to attach the two **left rail holder brackets** to the left side of the frame.



- 2 Use the 4 mm Allen wrench and two **M6 x 16 mm SBHCS** to attach the two **right rail holder brackets** to the right side of the frame.



Congratulations! You have completed Part One of the Queen Assembly instructions for the Q-Zone Queen Frame.

If you are also installing a new Q'nique quilting machine, turn to Part One of your machine manual now.

If you are going to be using a top plate with a domestic sewing machine, turn to your top plate manual and follow the instructions to fully assemble the top plate. When this is completed, skip Part Two of this manual and continue to Part Three.

If you are not installing a new machine or top plate, but are installing QuiltMotion, turn to Part One of your QuiltMotion manual before moving on to Part Two of this manual.

If you are not installing a Q'nique machine or QuiltMotion at this time, continue to Queen Assembly Part Two of this manual on page 28.

Queen Assembly Part Two

Progress Checkpoint

Machine Manual

Have you completed Part One and Part Two?

QuiltMotion Manual

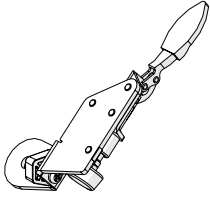
Have you completed Part One and Part Two?

If not, see your Machine manual or QuiltMotion manual for instructions on completing these steps before beginning Queen Assembly Part Two of your machine manual on the next page.

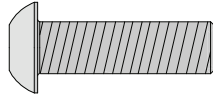
Task 6 - Install the Dual-Wheel Channel Lock

Parts & Tools Needed:

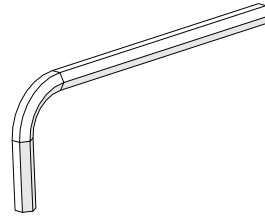
**Dual-Wheel
Channel Lock**



**SBHCS
M6 x 20 mm**



**Allen Wrench
4 mm**



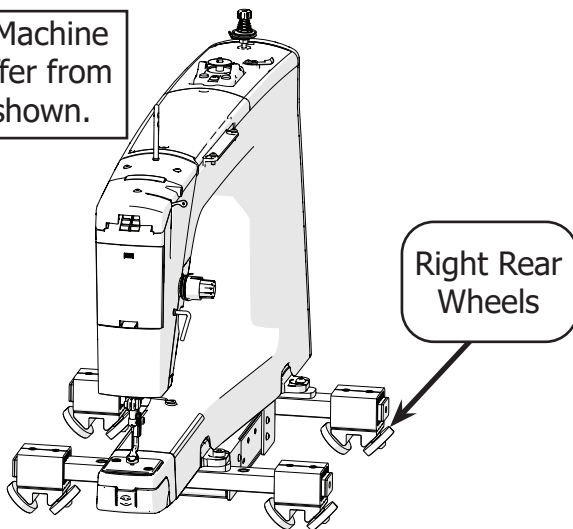
If using a top plate, skip to Part Three on page 32.

Instructions

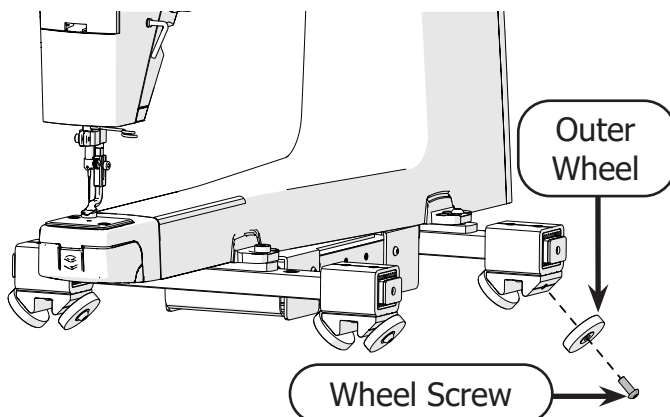
Channel locks restrict the movement of the machine or bottom carriage along one axis, so that it is easy to create a straight line. The machine channel lock stops the movement of the machine along the front-to-back axis to assist with making horizontal lines.

- 1 Locate the machine's **right rear wheels**.

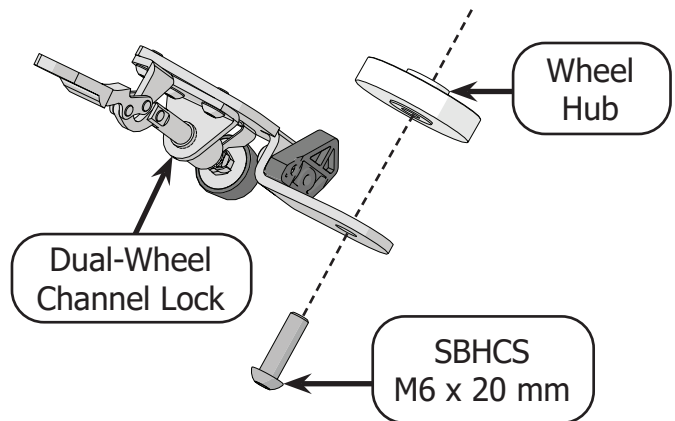
Note: Machine may differ from model shown.



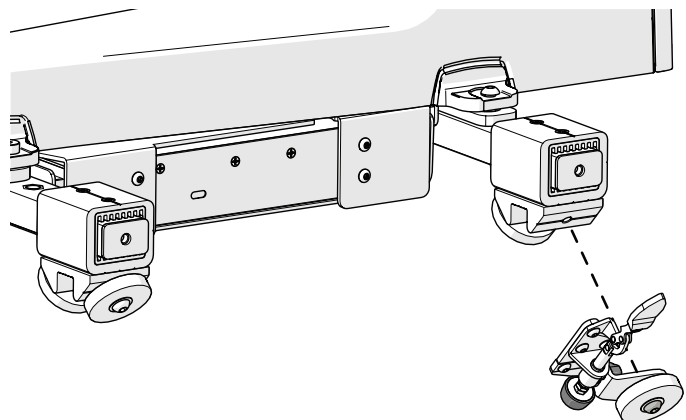
- 2 Use a 4 mm Allen wrench to remove the **outside wheel** and **wheel screw**. The wheel screw will not be needed again and can be stored with the packaging materials.



- 3 Place the **dual-wheel channel lock** onto the **M6 x 20 mm SBHCS**. Follow it with the wheel, with the **wheel hub** facing away from the channel lock.

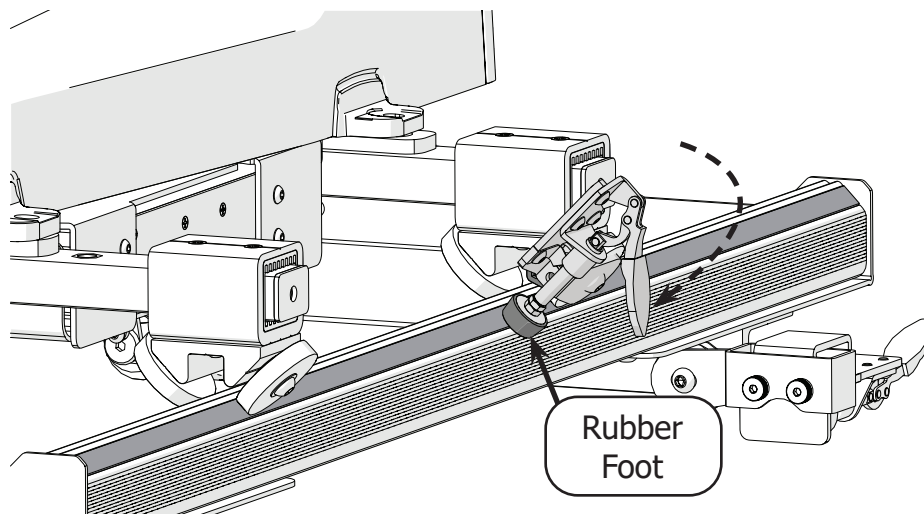


- 4 Screw the channel lock and wheel onto the machine so the channel lock body is toward the front of the machine. Use a 4 mm Allen wrench to attach.

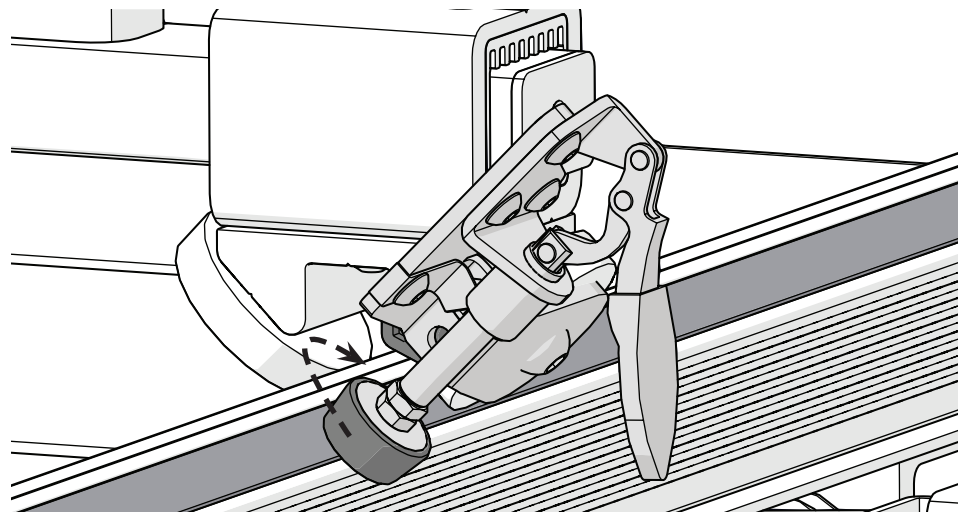


Task 6 - Install the Dual-Wheel Channel Lock (continued)

- 5 Close the channel lock handle and test it out. The **rubber foot** should press firmly against the bottom carriage tracks and prevent the machine from moving front-to-back on the carriage.

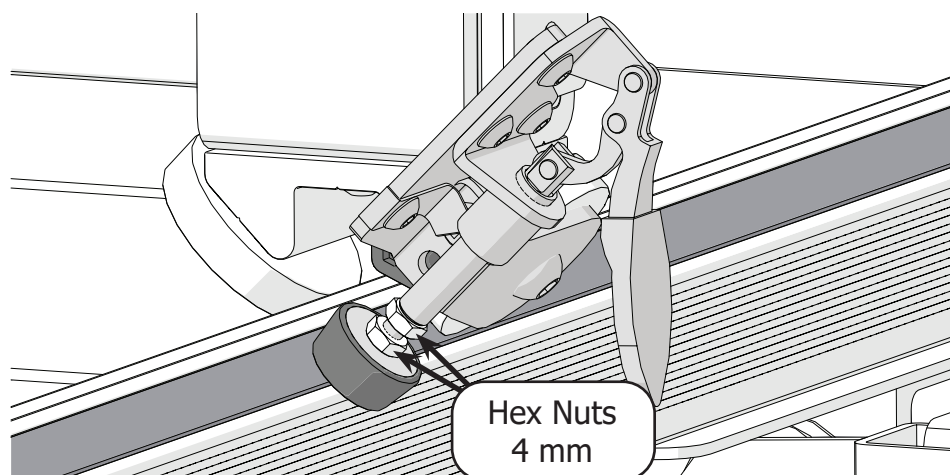


- 6 If the channel lock doesn't fully reach track, or its grip on the track seems loose, twist the rubber foot clockwise to extend it.



Note: If twisted too far, the handle will start to open, and eventually the foot will fall out. Reverse the direction you're twisting until the handle is pointing down, but the foot still reaches the track.

- 7 **Optional step:** Prevent the channel lock by loosening over time by using needle nose pliers or a wrench to tighten the bottom 4 mm hex nut against the rubber foot. Tighten the other hex nut against the channel lock barrel.



Congratulations! You have completed Part Two of the Queen Assembly instructions for the Q-Zone Queen Frame.

If you are also installing a new Q'nique quilting machine, turn to Part Three of your machine manual before moving on to Part Three of this manual.

If you are not installing a Q'nique machine at this time, continue to Queen Assembly Part Three of this manual on page 32.

Queen Assembly Part Three

Progress Checkpoint

Machine Manual Part Three

Have you:

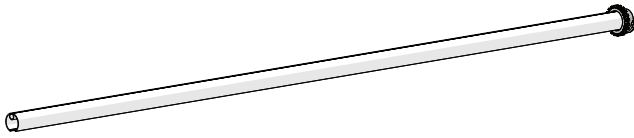
- Installed the wheel covers (on applicable models), handlebars, display, thread mast, upper encoder, and power cable?

If not, see your Machine manual for instructions on completing these steps before beginning Queen Assembly Part Three of your machine manual on the next page.

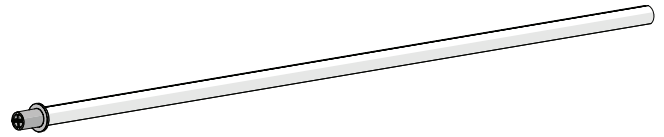
Task 7 - Install the Rails

Parts & Tools Needed:

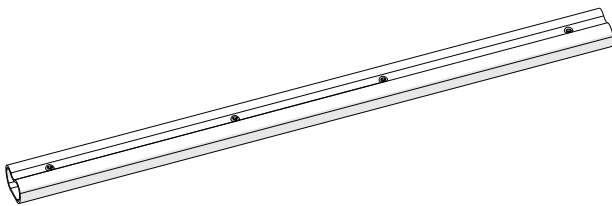
**Ratcheting Rail
Section (x2)**



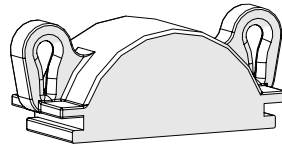
**Floating Rail
Section (x2)**



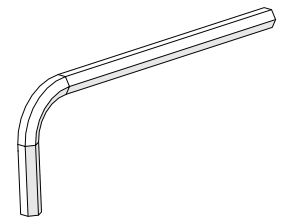
Rail Coupler (x2)



Ratchet Cap (x2)



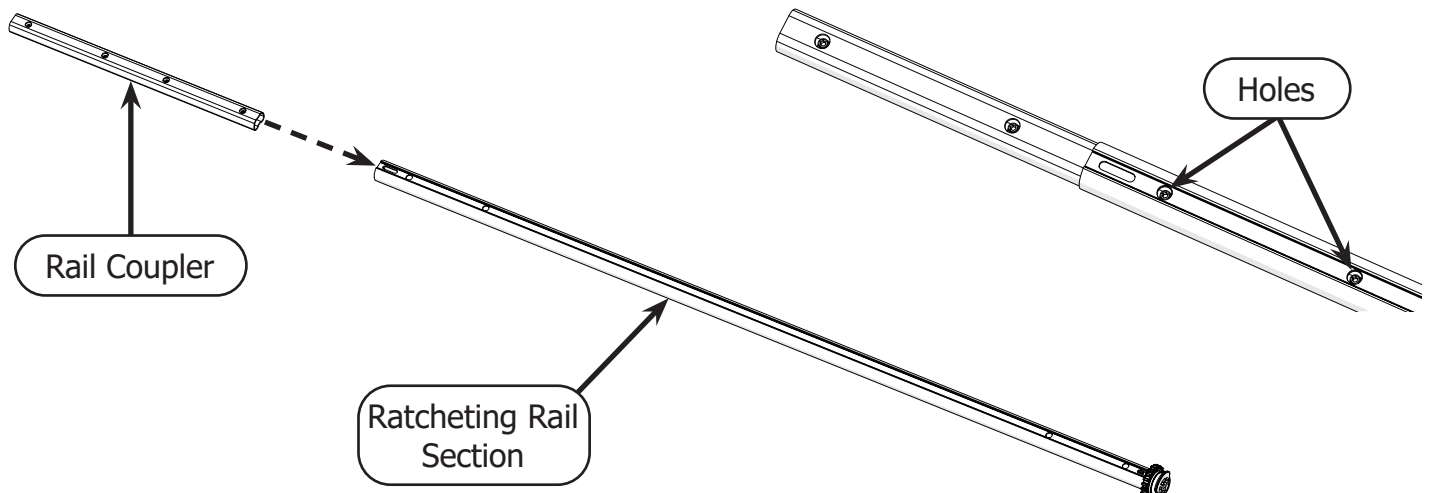
**Allen Wrench
3 mm**



Instructions

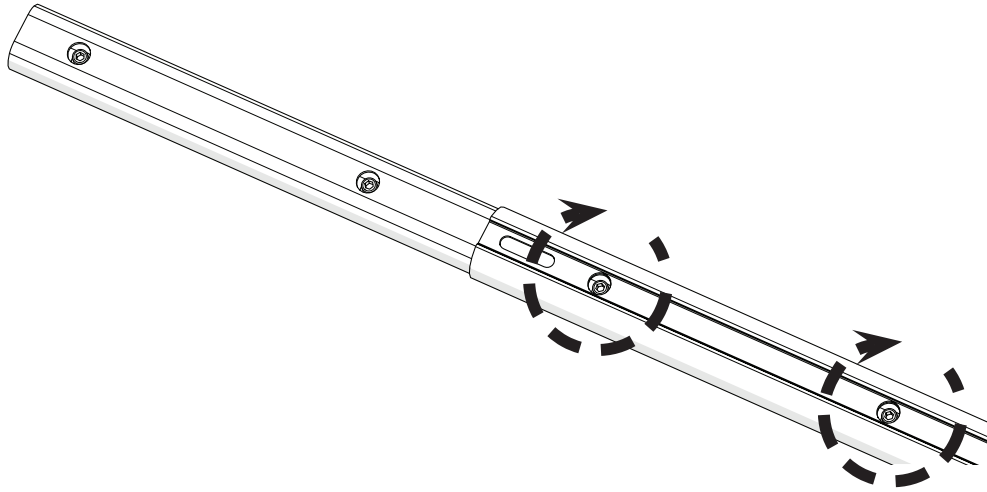
Take the following steps to install the rails:

- 1 Insert a **rail coupler** into the open end of a **ratcheting rail section**. Align two of the screws in the coupler so you can see them through the **holes** in the rail section.

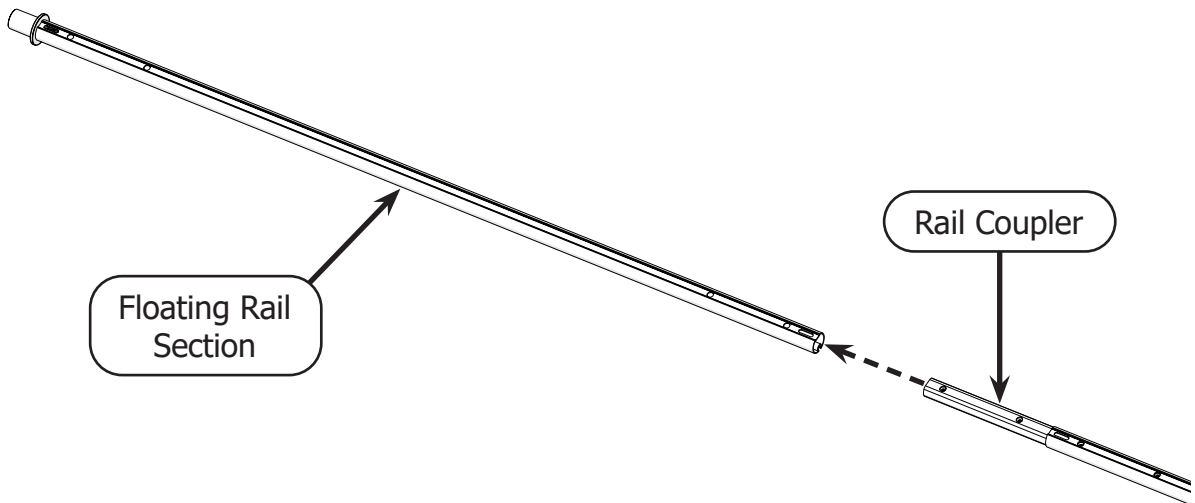


Task 7 - Install the Rails (continued)

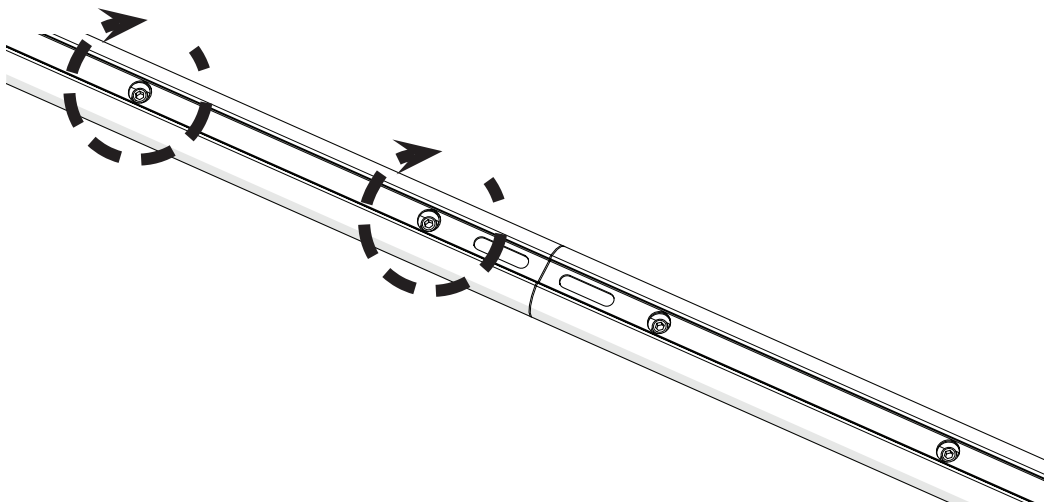
- 2 Use a 3 mm Allen wrench to tighten the screws inside the rail. This will press the screws against the back of the rail and hold them together.



- 3 Insert the other end of the rail coupler into the open end of the floating rail section. Align the other two screws so that they can be seen through the holes in the rail.

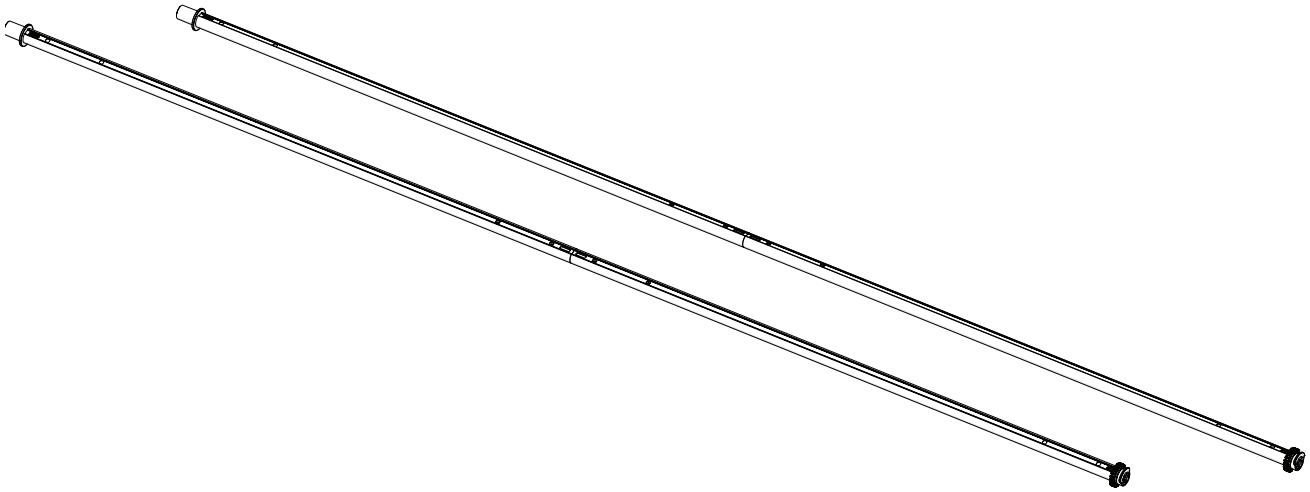


- 4 Use a 3 mm Allen wrench to tighten the screws inside the floating rail section.

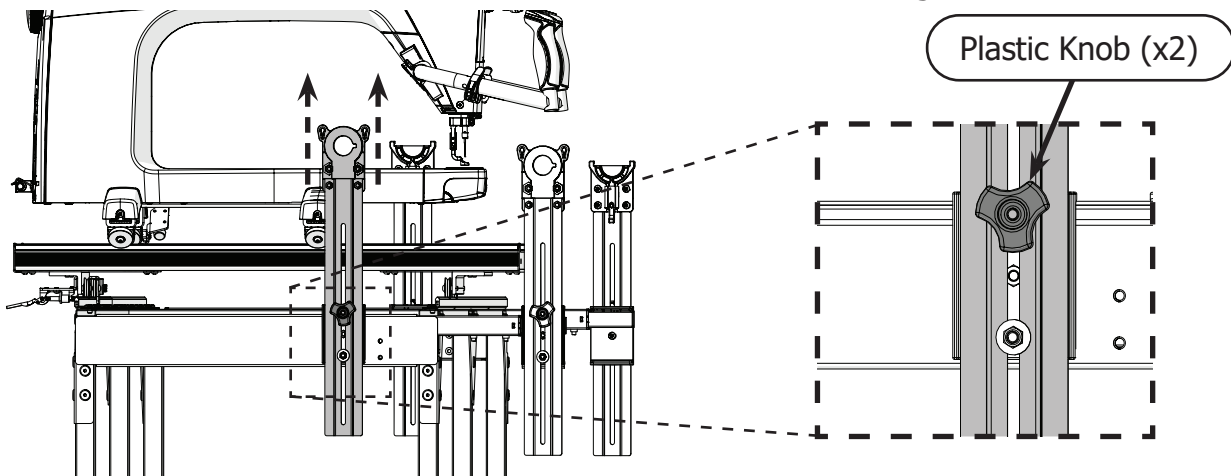


Task 7 - Install the Rails (continued)

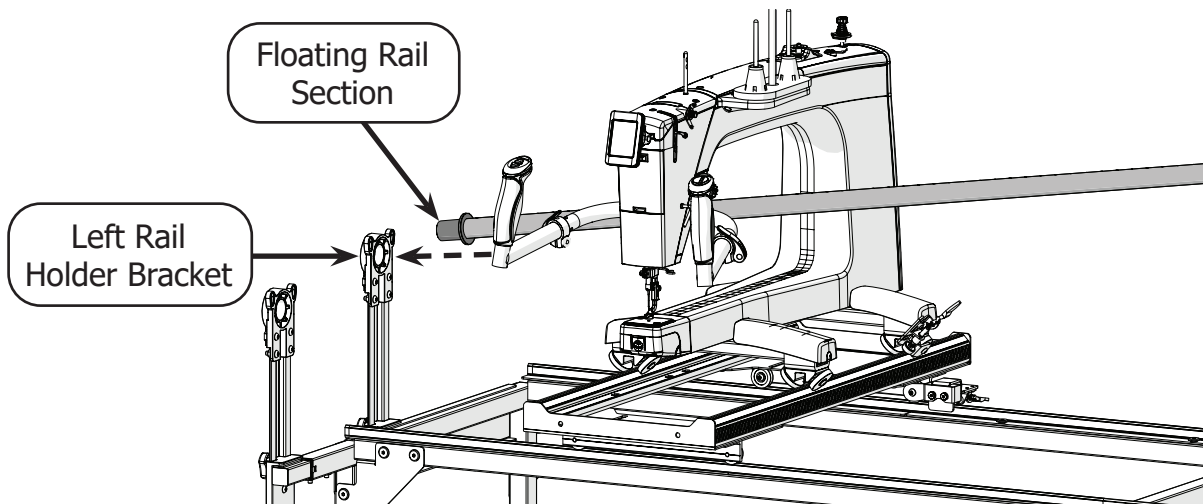
- 5 Repeat steps 1-4 for the other rail.



- 6 Raise the rear rail holder brackets by loosening the **plastic knob** on both of the rear bracket holders and sliding the bracket up high enough that the rail can pass through the throat of the machine. Make sure both rear brackets are raised to the same height.

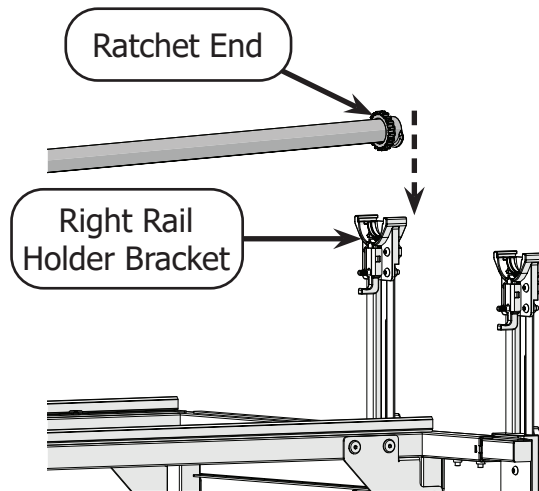


- 7 With the machine towards the left of the frame, slide one of the rails through the machine's throat and insert the end of the **floating rail section** into the rear **left rail holder bracket**.

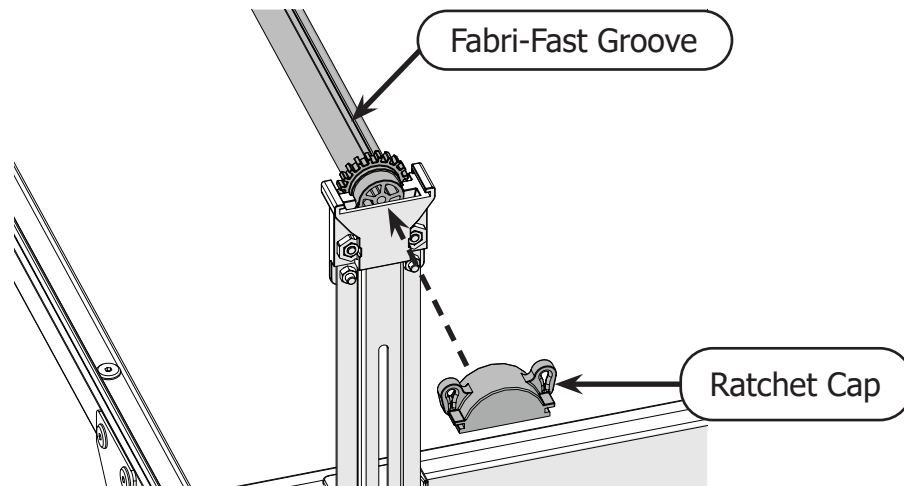


Task 7 - Install the Rails (continued)

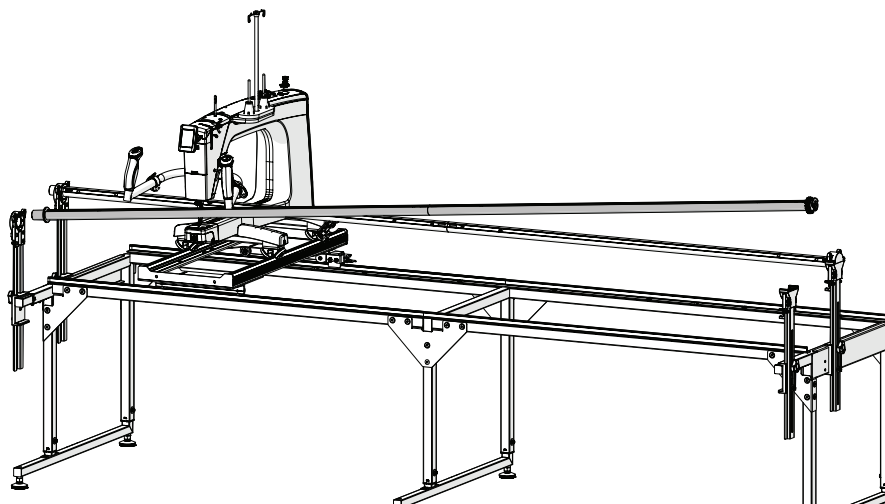
- 8 Place the **ratchet end** of the rail in the top of the rear **right rail holder bracket**.



- 9 Turn the rail until the **Fabri-Fast groove** is facing up. Then slide the **ratchet cap** onto the top of the bracket.



- 10 Repeat steps 6-8 for the other rail, placing it in the front rail holder brackets.

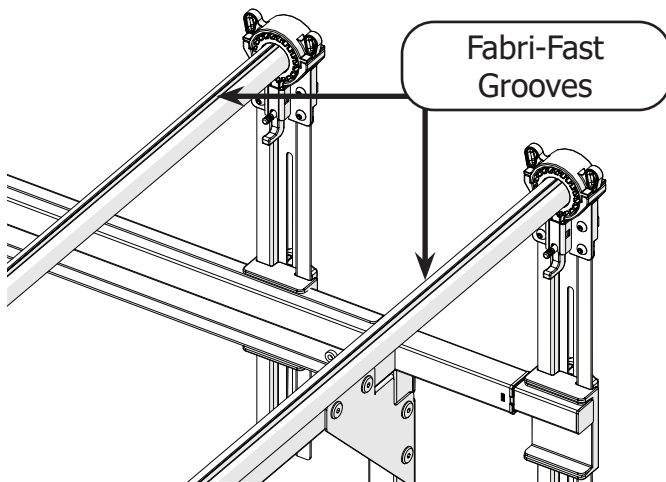


Task 7 - Install the Rails (continued)

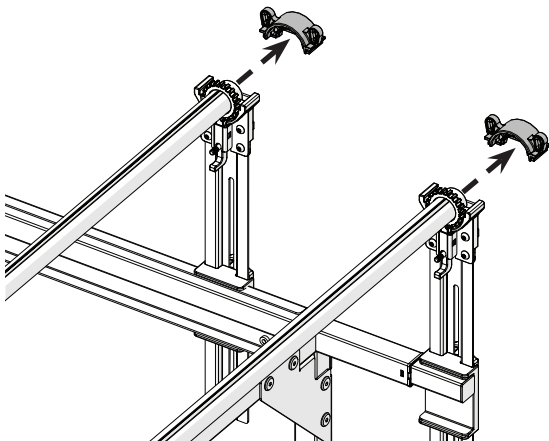
Removal Instructions

When needed, take the following steps to remove the rails:

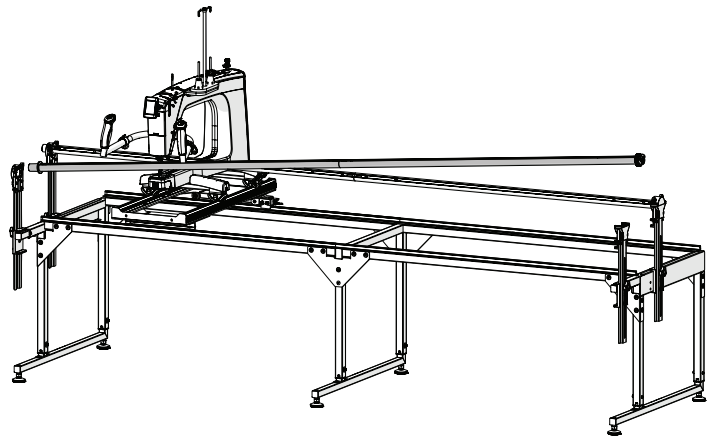
- 1 Turn the rails until the **Fabri-Fast grooves** are facing up.



- 2 Remove the ratchet covers.



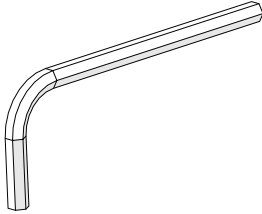
- 3 Remove the rails by lifting the right side out of the right rail holder brackets and pulling the left side out of the left rail holder brackets.



Task 8 - Adjust the Rails

Parts & Tools Needed:

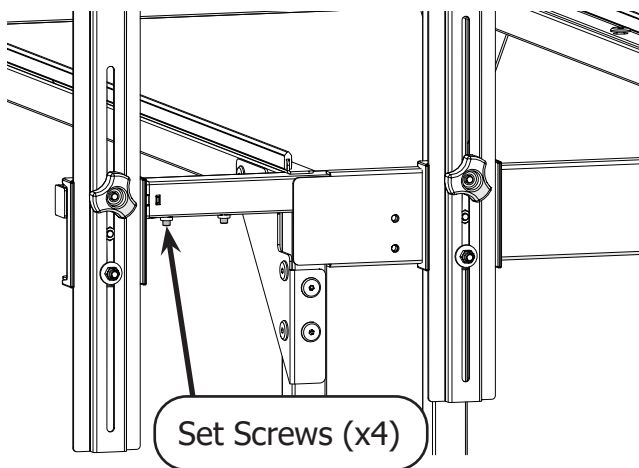
Allen Wrench
4 mm



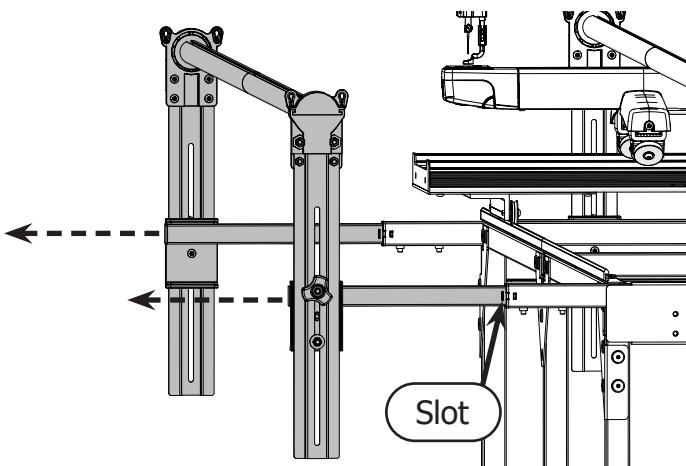
Instructions

Take the following steps to adjust the rails to more efficiently work with your machine:

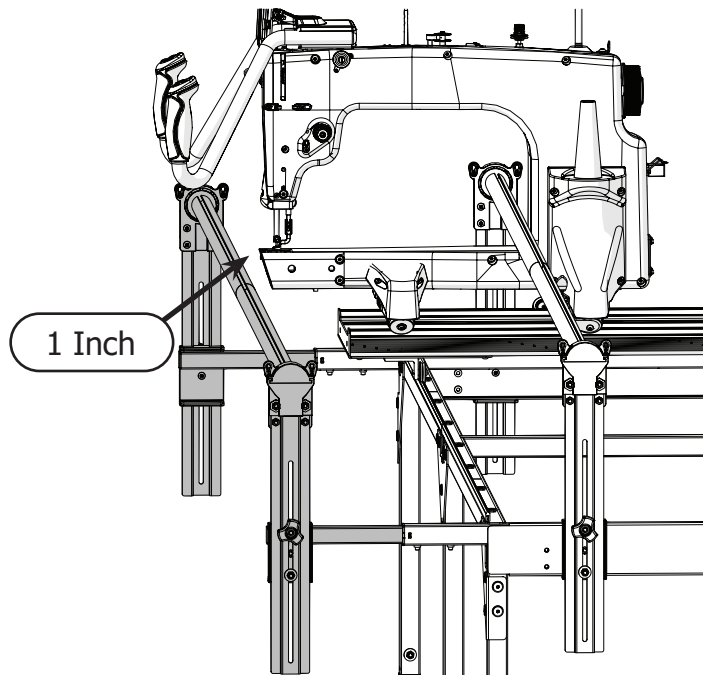
- 1 Use the 4 mm Allen wrench to loosen, but not remove, the four **set screws** in the right and left extension arm.



- 2 Pull on the brackets to extend the quilt-backing rail until you see the **slot** on the extension arms. Tighten the set screws.

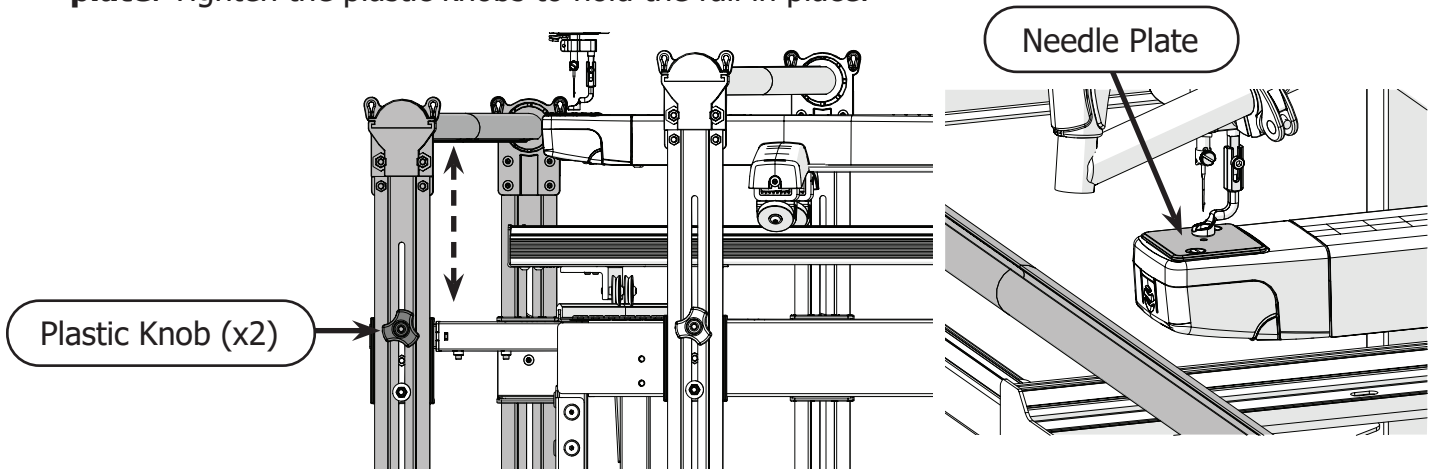


Note: If your machine has a throat length of less than 16 inches, move the machine as far forward as you can and then adjust the quilt-backing rail until it is 1 inch from the front of the machine. Tighten the set screws.

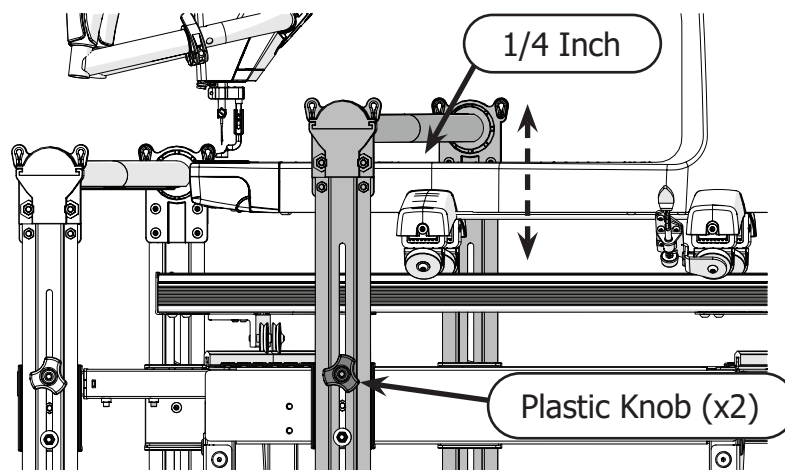


Task 8 - Adjust the Rails (continued)

- 3 Adjust the height of the quilt-backing rail by loosening the **plastic knobs** on both front rail holder brackets. Position the rail so that the top of the rail is even with the machine's **needle plate**. Tighten the plastic knobs to hold the rail in place.



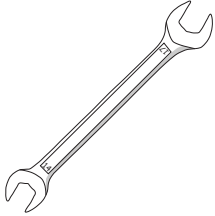
- 4 Adjust the height of the take up rail by loosening the **plastic knobs** on both rear rail holder brackets. Position the rail so that it is approximately **1/4 inch** above the throat of the machine. Tighten the plastic knobs to hold the rail in place.



Task 9 - Leveling the Frame

Parts & Tools Needed:

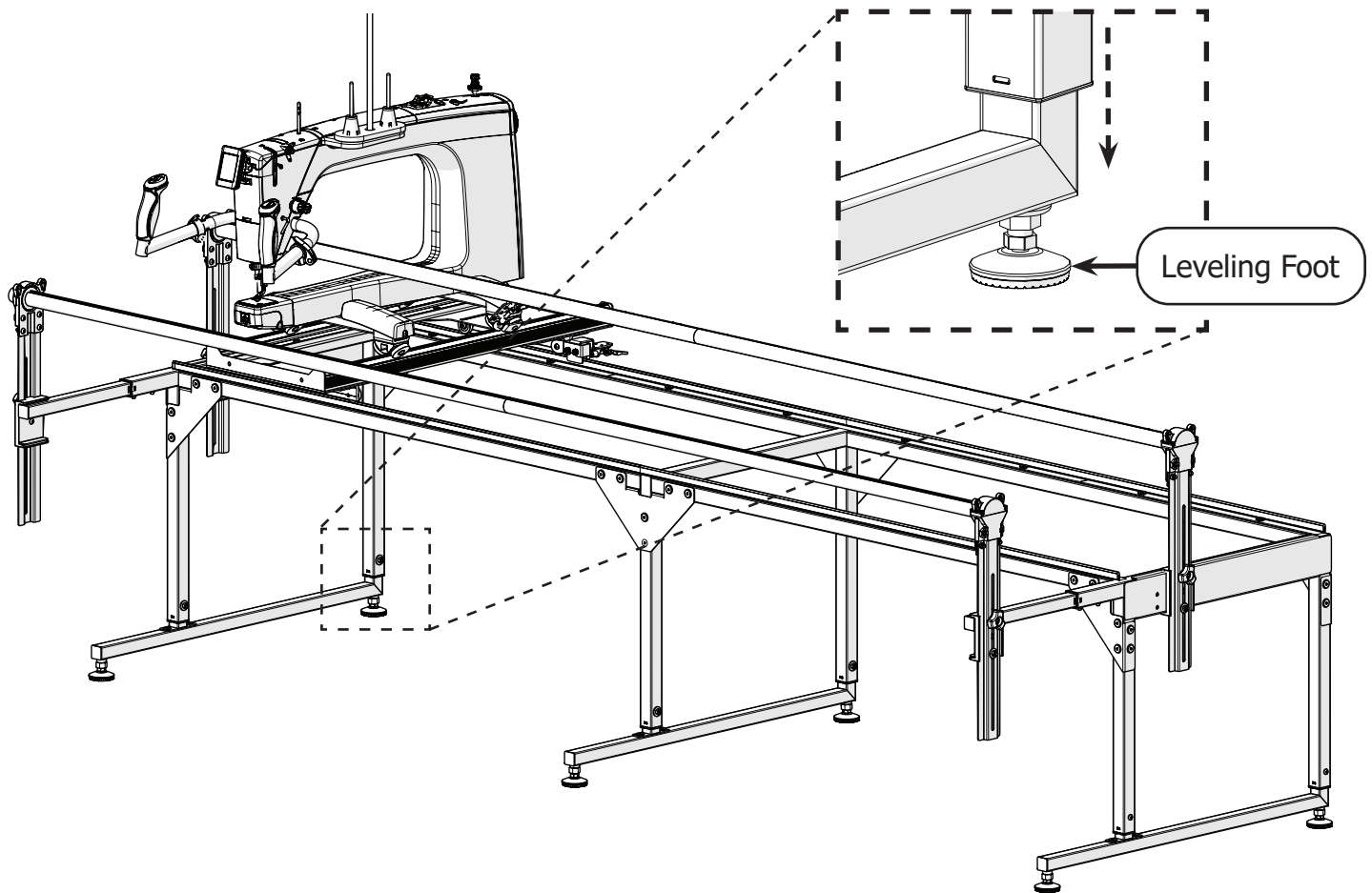
Open End Wrench
14 mm and 17 mm



Instructions

Take the following steps to adjust the frame's feet to make sure the frame is level and smooth:

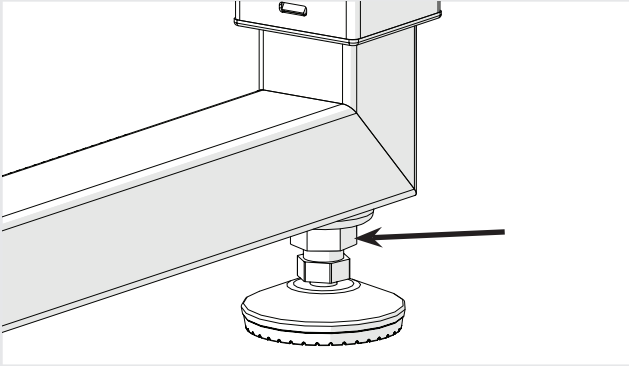
- 1 Follow the leveling adjustment steps on the next page to lower the frame on all 6 leveling feet as far as it can go.



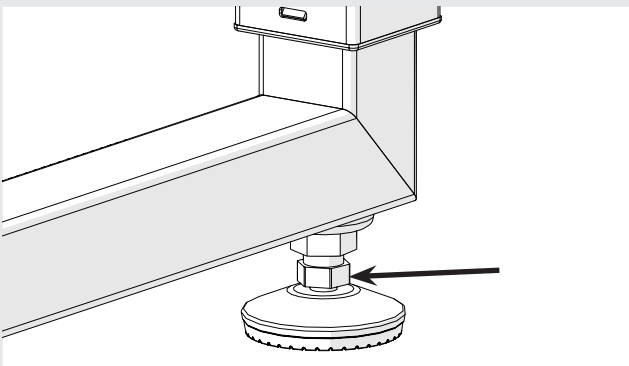
Task 9 - Leveling the Frame (continued)

Leveling Foot Adjustment

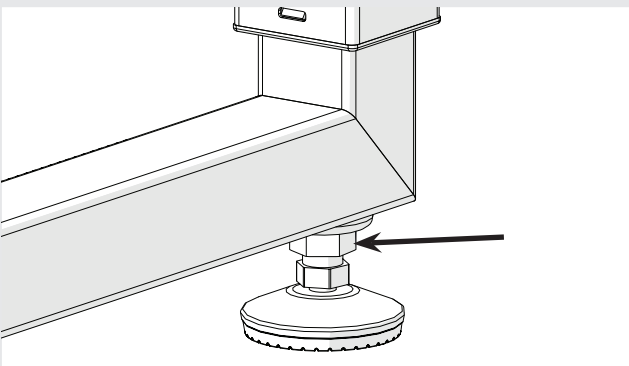
- a Loosen the top nut on the leveling foot with the 17 mm Open-end wrench.



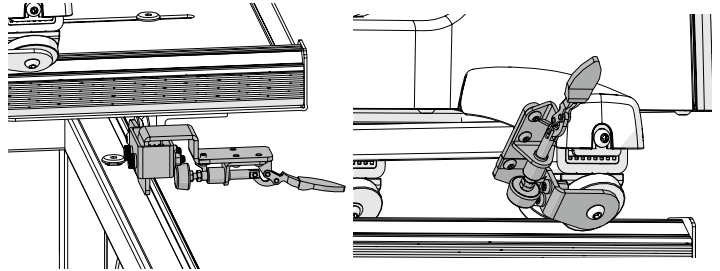
- b Turn the bottom nut with the 14 mm Open-end wrench until the desired height is set. Turn counter-clockwise to lower the frame. Turn clockwise to raise the frame.



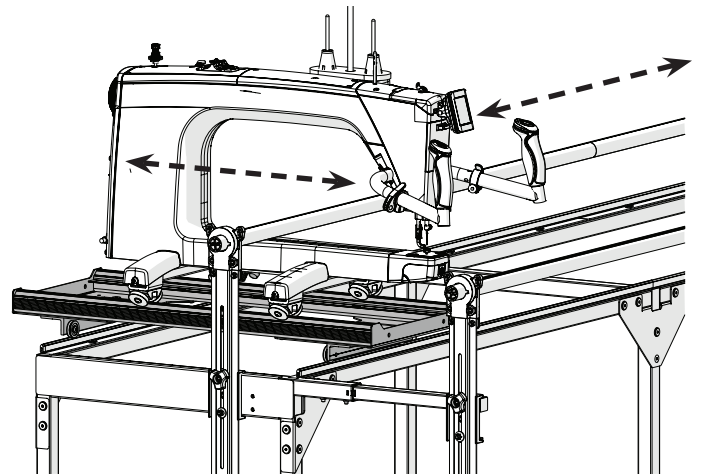
- c Tighten the top nut with the 17 mm Open-end wrench until it is firm against the frame leg.



- 2 After lowering the frame, make sure both channel locks are open so the machine and bottom carriage can roll freely.



- 3 Move the machine to the left side of the frame and place the machine in the middle of the bottom carriage. Let go of the machine to see if it rolls and in which direction.

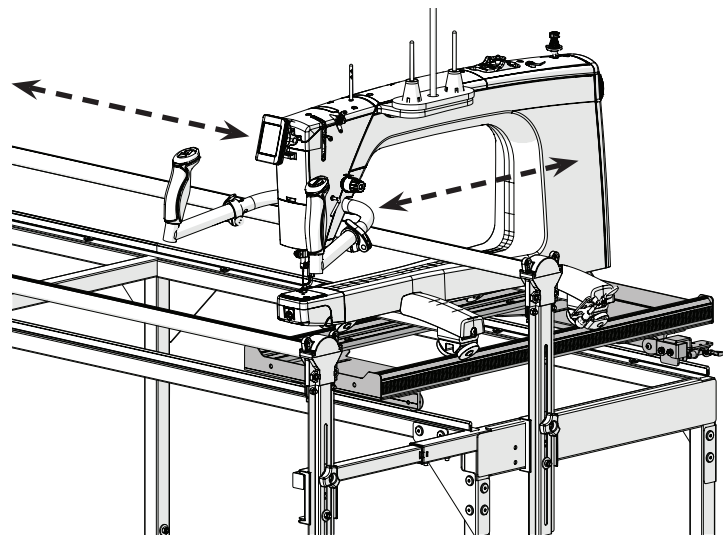


- If the machine rolls towards the middle of the frame, raise the middle feet.
- If it rolls towards the front, raise the front foot.
- If it rolls towards the rear, raise the rear foot.

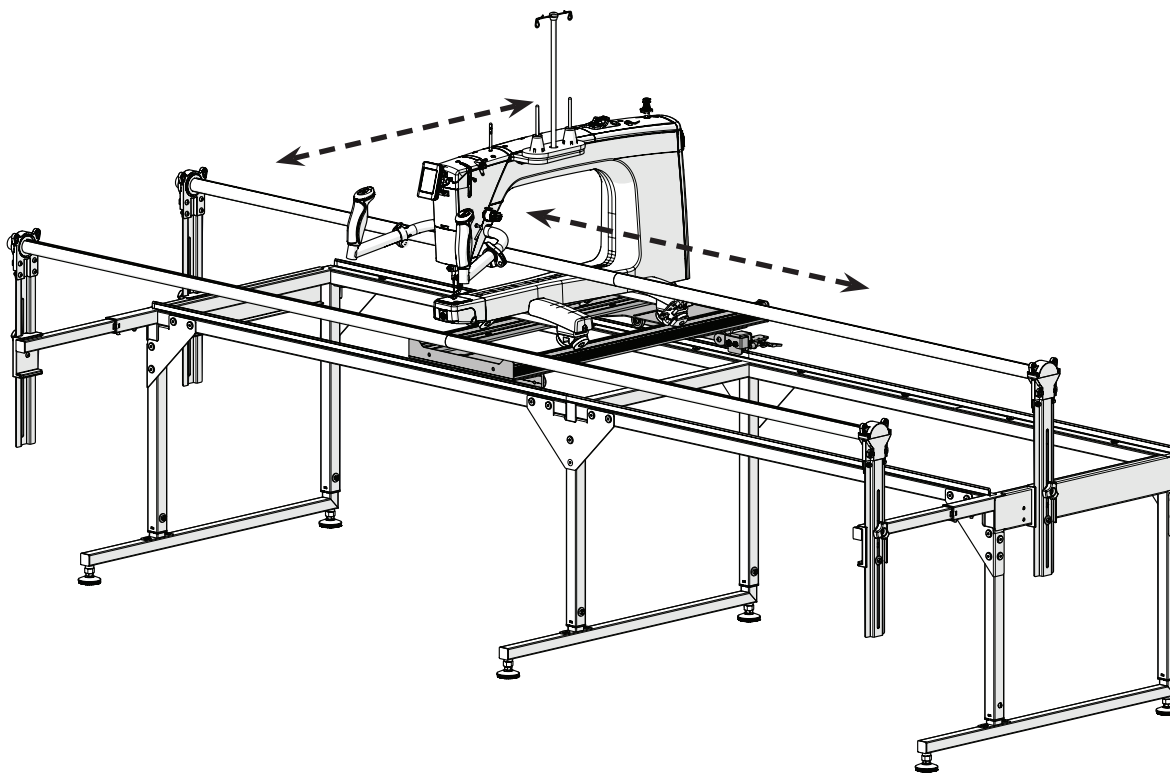
Note: Due to the weight of the machine, some slight movement is normal. The goal is to prevent the machine from rolling across the frame.

Task 9 - Leveling the Frame (continued)

- 4 Repeat the process with machine on the right side of the frame.



- 5 Repeat the process again, putting the machine a few inches to both sides of the middle leg. If the machine begins to roll toward either side of the frame, raise the feet on that side.

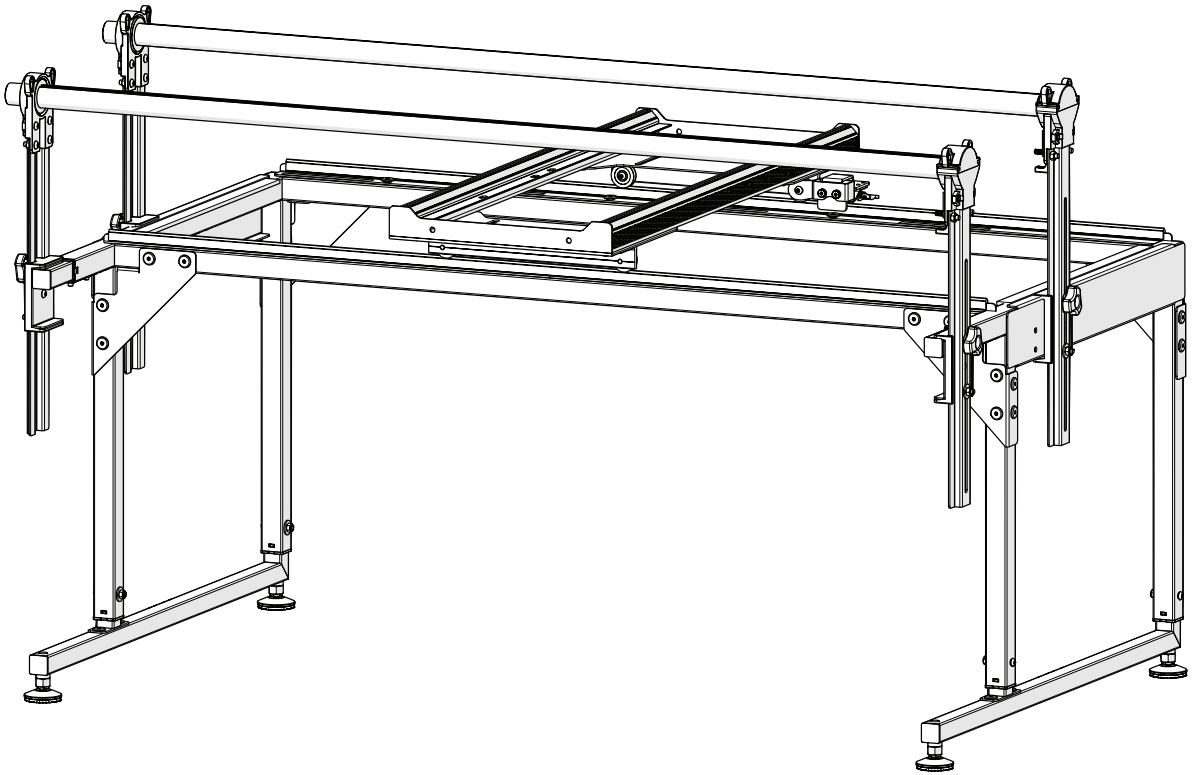


Congratulations! You have completed Part Three of the Queen Assembly Instructions for the Q-Zone Queen frame.

If you are also installing QuiltMotion, turn to Part Three of your QuiltMotion manual before continuing to Part Four of this manual.

If you are not installing QuiltMotion at this time, continue to Part Four of this manual on page 74.

Crib Assembly



Crib Assembly Part One

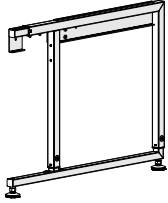
Progress Checkpoint

Complete Part One of these instructions before assembling your quilting machine or any accessories. The beginning of each Part will contain a progress checkpoint, helping make sure you accomplish all of the tasks necessary to complete your quilting setup in the most convenient order.

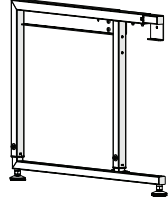
Task 1 - Set the Frame Height

Parts & Tools Needed:

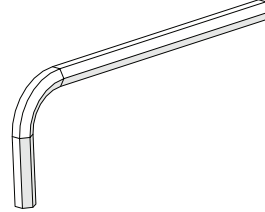
Left Leg Assembly



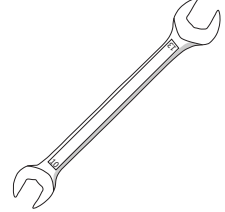
Right Leg Assembly



Allen Wrench
4 mm



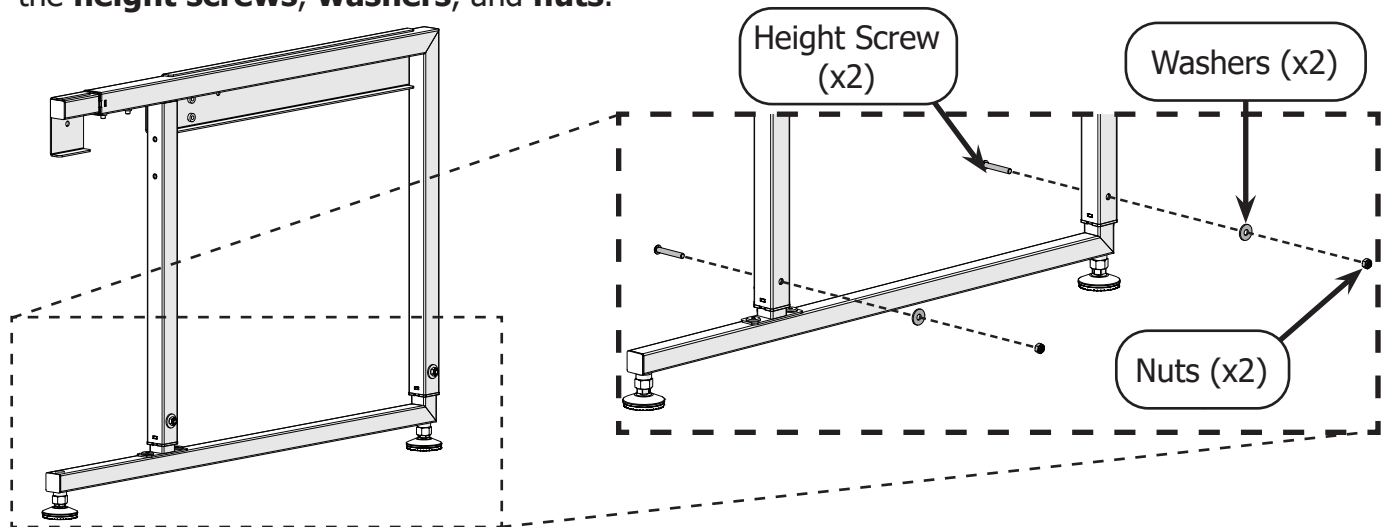
Open End Wrench
10 mm and 13 mm



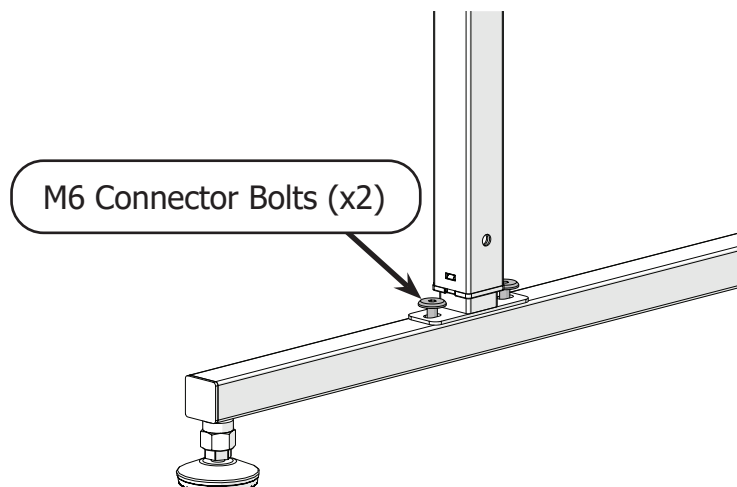
Instructions

The frame height is important for comfortable prolonged use. Ideally, when fully assembled the handlebars on your machine or top plate will be around elbow height. Take the following steps to set your frame height:

- 1 Begin with the left leg. With the 4 mm Allen wrench and the 10 mm open end wrench, remove the **height screws, washers, and nuts**.



- 2 Use the 4 mm Allen wrench to loosen, but not remove, the two **M6 connector bolts**.



Task 1 - Set the Frame Height (continued)

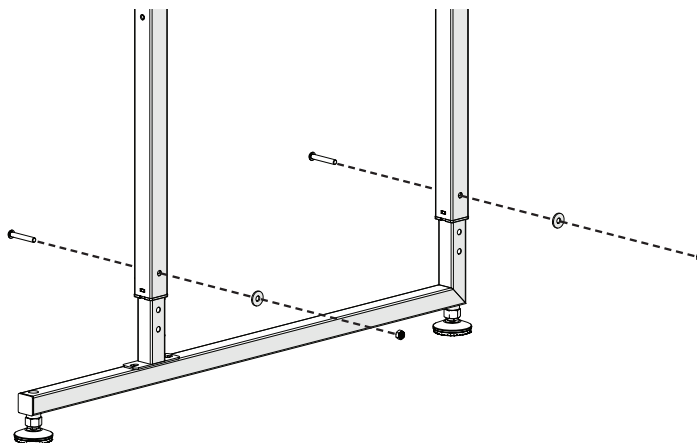
- 3 Hold your arm at a 90 degree angle. Use a tape measure to measure the distance from your elbow to the floor.



Hole Number	Elbow to Floor
1	37 1/2 Inches
2	38 1/2 Inches
3	39 1/2 Inches
4	40 1/2 Inches
5	41 1/2 Inches
6	42 1/2 Inches
7	43 1/2 Inches
8	44 1/2 Inches
9	45 1/2 Inches
10	46 1/2 Inches

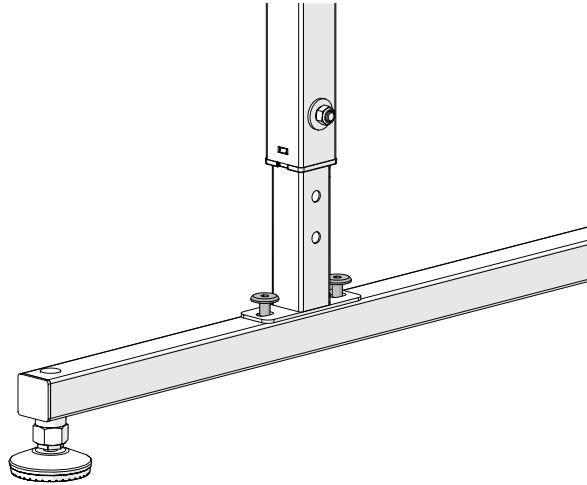
Note: Height will vary slightly after adjusting leveling feet in Task 9 on page 70.

- 4 Set your frame leg to the corresponding hole and secure in place with the screws, washers, nuts, 4 mm Allen wrench, and 10 mm open end wrench.

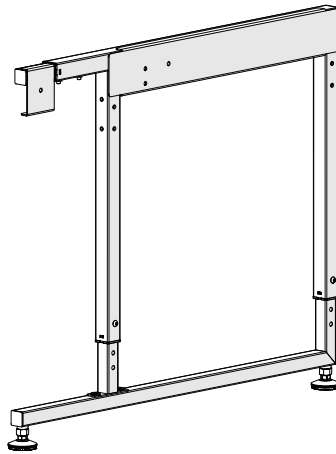


Task 1 - Set the Frame Height (continued)

- 5 Use the 4 mm Allen wrench to re tighten the M6 connector bolts.



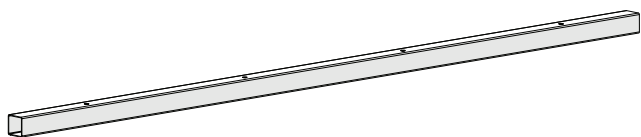
- 6 Repeat steps 1-4 for the right leg, making sure to set it to the same height as the left leg.



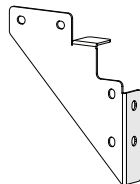
Task 2 - Install the Cross Support Tubes

Parts & Tools Needed:

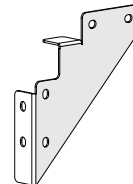
Frame Cross Support Tube (x2)



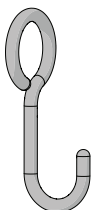
Corner Leg Brace Side A (x2)



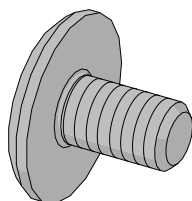
Corner Leg Brace Side B (x2)



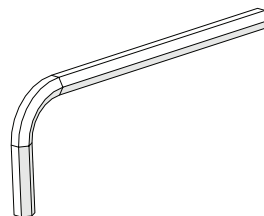
Reference Card Hook



Connector Bolt M6 x 10 mm (x24)



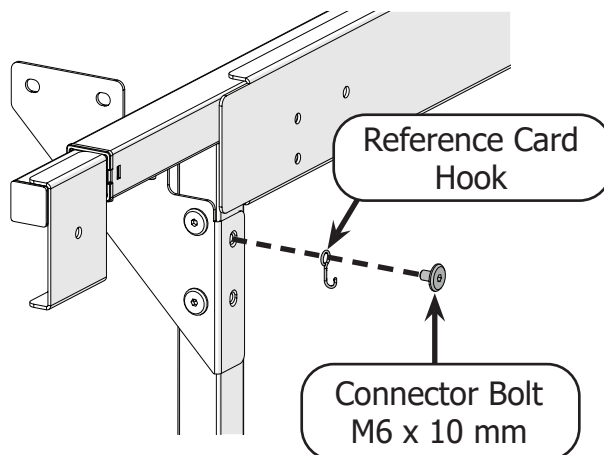
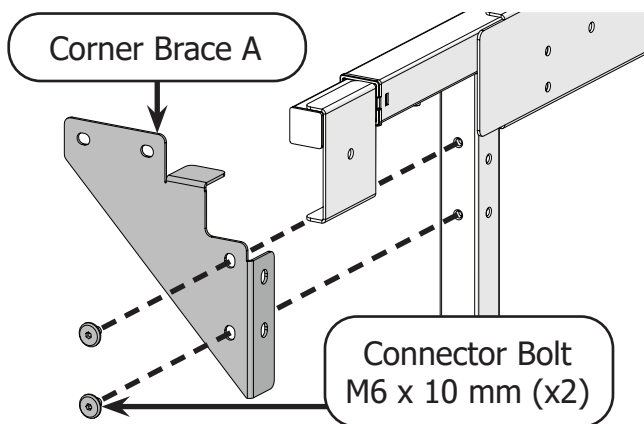
Allen Wrench 4 mm



Instructions

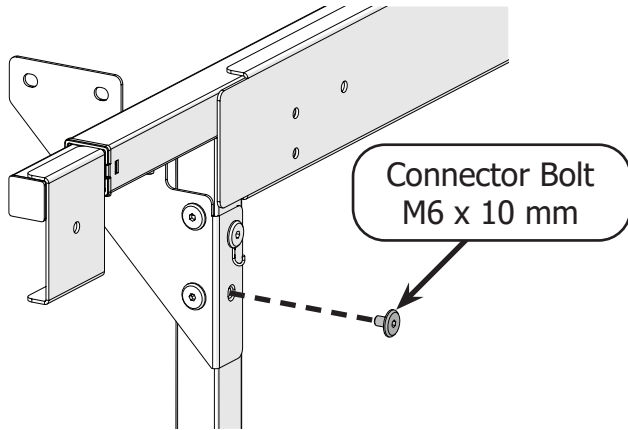
Take the following steps to attach the leg braces to the legs and install the frame cross support tubes:

- 1 Begin with the right leg. Use the 4 mm Allen wrench and two **M6 x 10 mm connector bolts** to loosely attach a **corner brace side A** to the front of the leg.
- 2 Loosely connect the **reference card hook** to the side of the corner bracket with an **M6 x 10 mm connector bolt**.

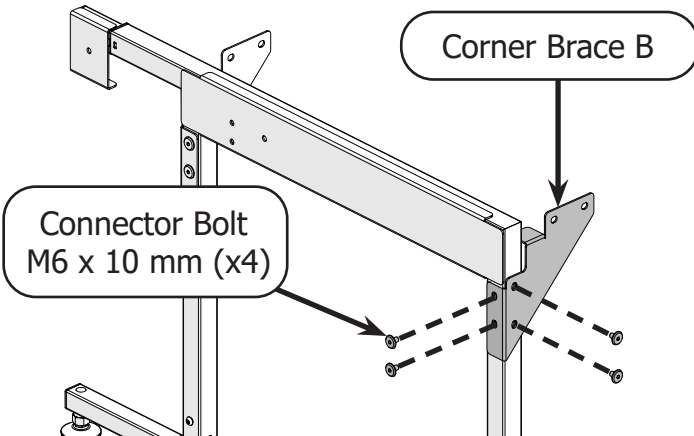


Task 2 - Install the Cross Support Tubes (continued)

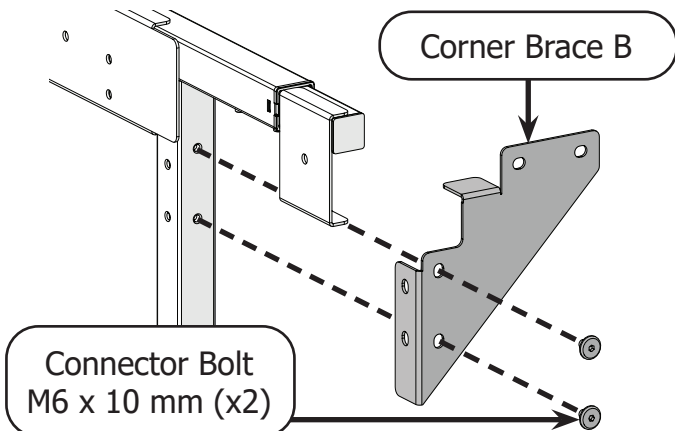
- 3 Loosely attach a second **M6 x 10 connector bolt** to the side of the corner brace.



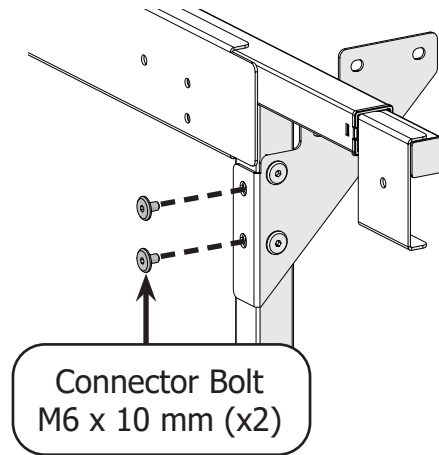
- 4 Use the 4 mm Allen wrench and loosely attach a **corner brace side B** to the back of the right leg with four **M6 x 10 connector bolts**.



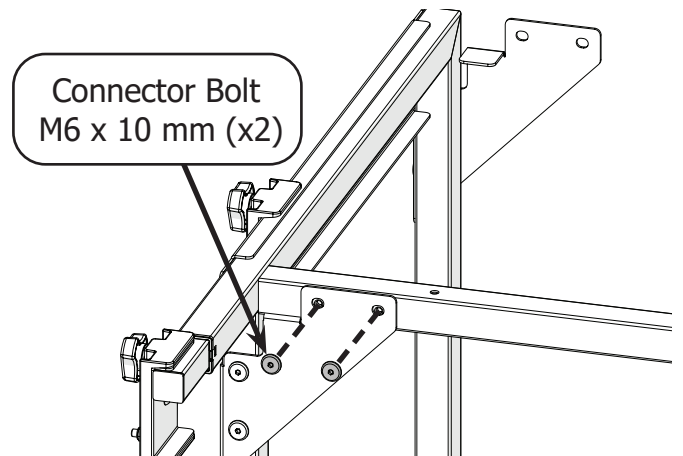
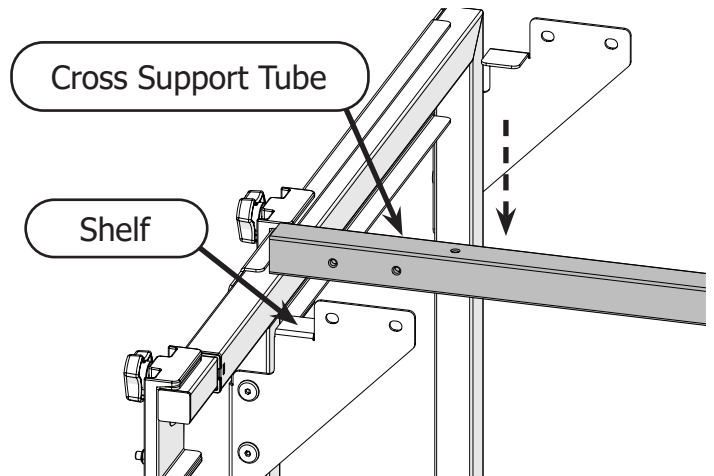
- 5 Take the left leg and use the 4 mm Allen wrench and two **M6 x 10 mm connector bolts** to loosely attach a **corner brace side B** to the front of the leg.



- 6 Loosely screw in two more **M6 x 10 mm connector bolts** in the brace holes on the side of the leg.

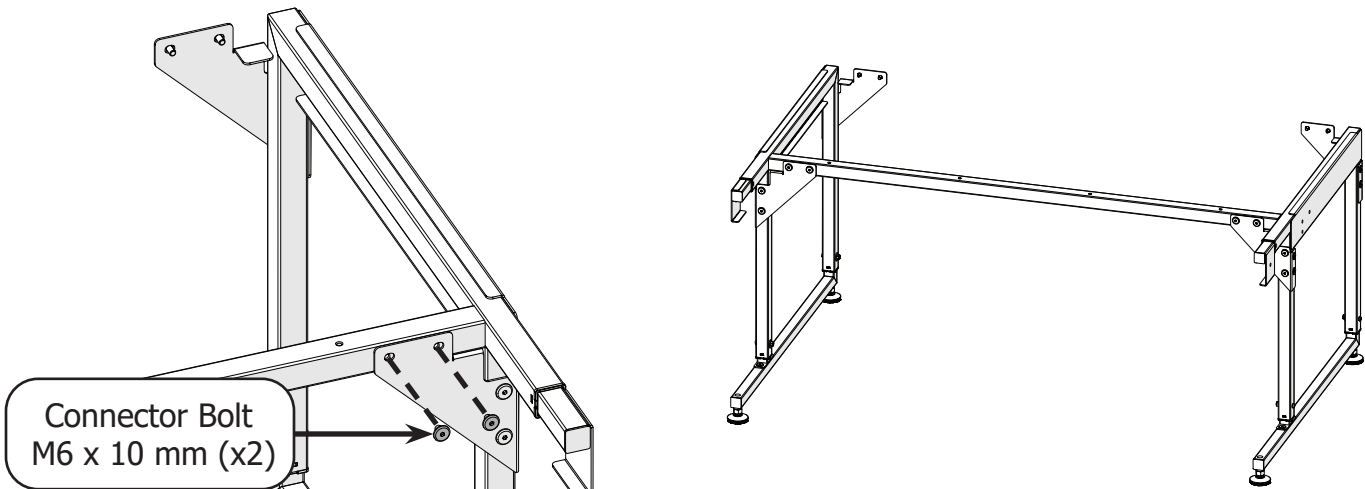


- 7 Place the end of a **cross support tube** so that it rests on the **shelf** of the corner bracket on the front of the left leg. Loosely attach it with two M6 x 10 connector bolts and the 4 mm Allen wrench.

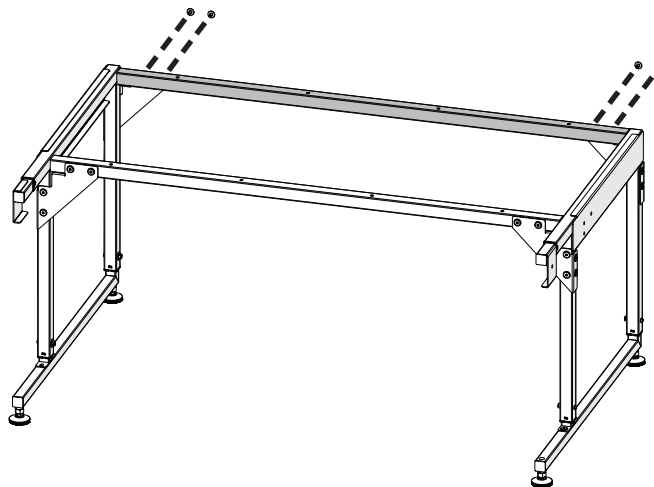


Task 2 - Install the Cross Support Tubes (continued)

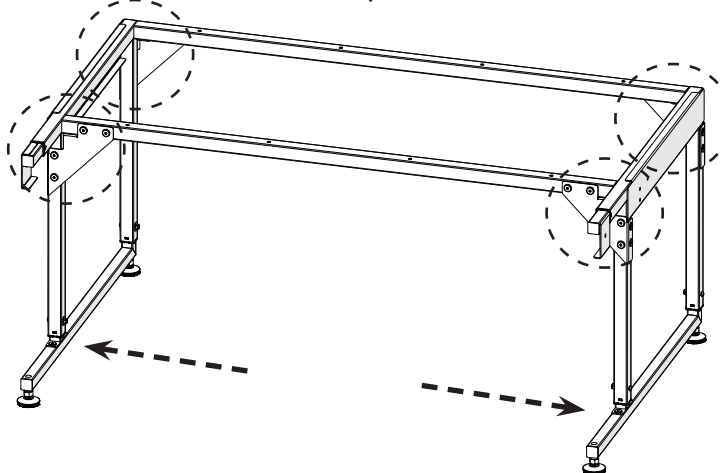
- 8 Loosely attach the other end of the cross support tube to the front corner brace on the right leg using two **M6 x 10 mm connector bolts** and the 4 mm Allen wrench.



- 9 Repeat steps 7-8 for the rear cross support tube.



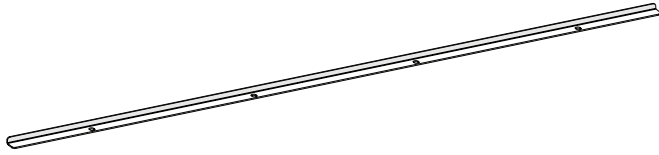
- 10 Once the braces and tubes are all in place, pull the bottoms of the left and right legs outwards to make sure they are square with the cross support tubes. Go around and tighten all 24 M6 x 10 mm connector bolts to secure the frame pieces.



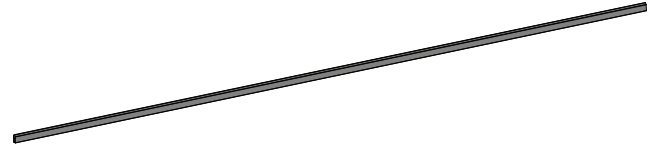
Task 3 - Install and Align the Tracks

Parts & Tools Needed:

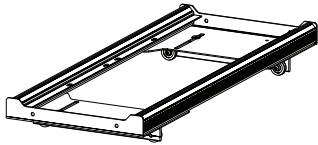
Long Track Support (x2)



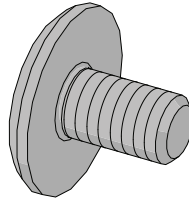
Short Track (x2)



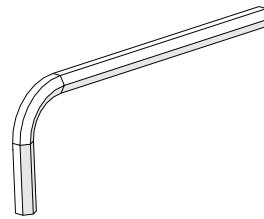
Bottom Carriage



Connector Bolt M6 x 10 mm (x8)



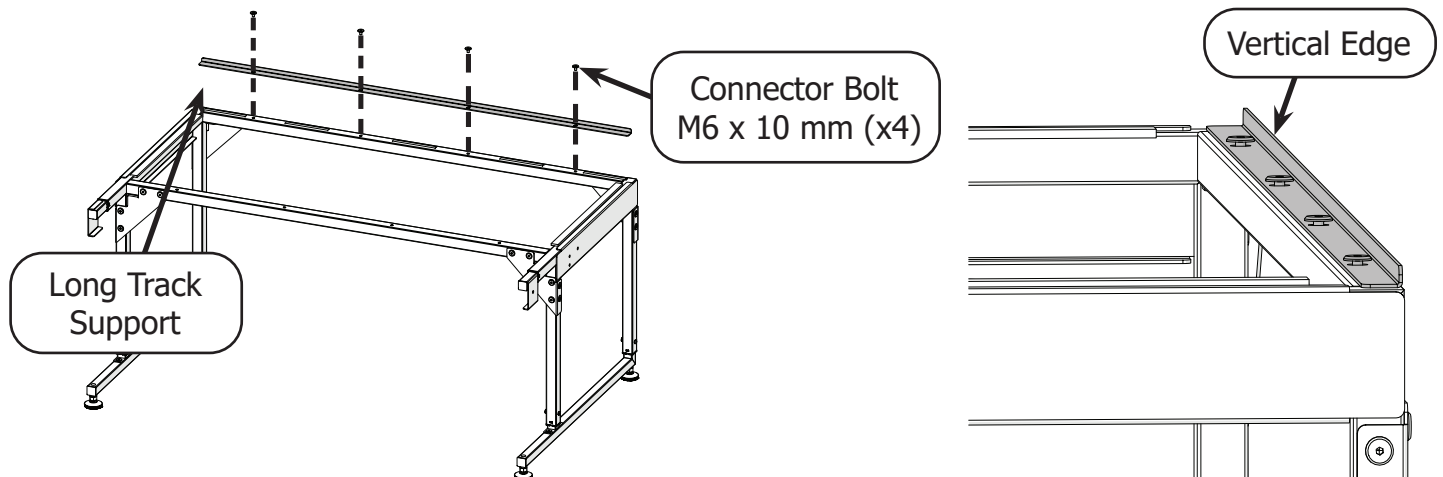
Allen Wrench 4 mm



Instructions

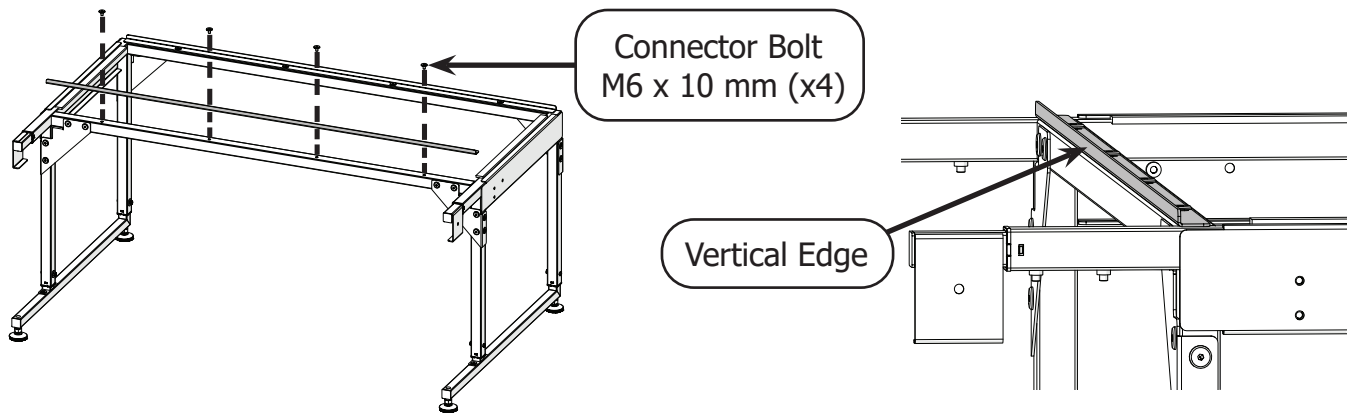
Take the following steps to install and align the frame tracks:

- 1 Place a **long track support** on the back of the frame. Make sure the side without the holes is towards the back of the frame. Loosely attach the track support with four **M6 x 10 mm connector bolts** and the 4 mm Allen wrench.

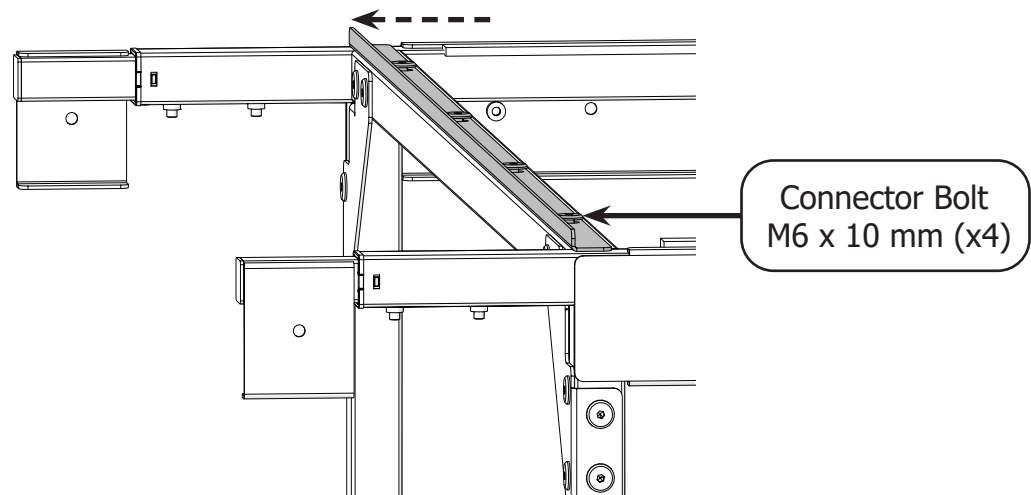


Task 3 - Install and Align the Tracks (continued)

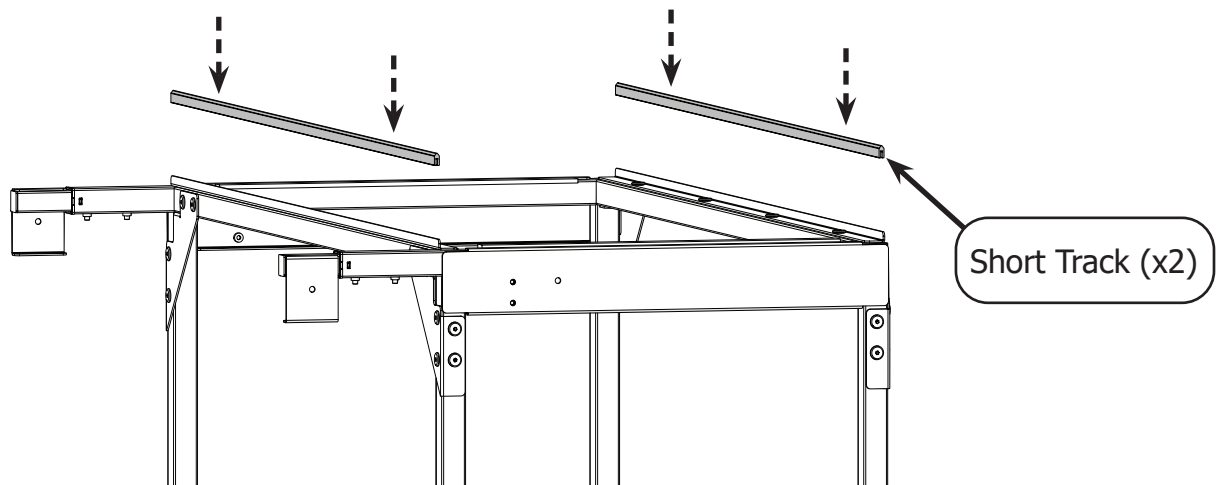
- 2 Install the other long track support on the front of the frame. Make sure the **vertical edge** is towards the front of the frame. Loosely attach the track support with four **M6 x 10 mm connector bolts** and the 4 mm Allen wrench.



- 3 Adjust the front track support until the vertical edge are flush with the front of the cross support tube. Tighten the four front **M6 x 10 mm connector bolts** with the 4 mm Allen wrench.

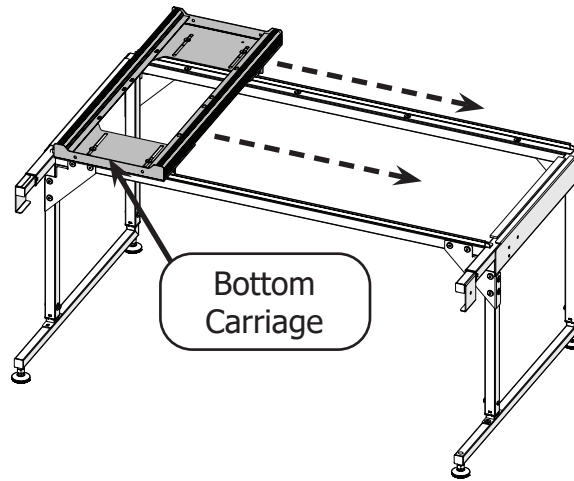


- 4 Firmly press the **short track** onto the front and back track supports for the whole length of the frame. Be sure not to leave any space in between the tracks and track supports.

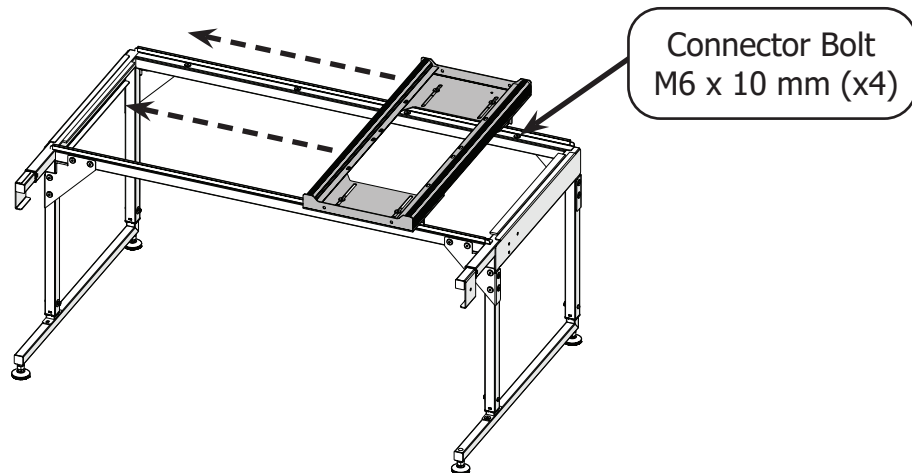


Task 3 - Install and Align the Tracks (continued)

- 5 Place the **bottom carriage** on the tracks at the left end of the frame. Align the back track by pressing on the carriage as you slowly move it across the frame.



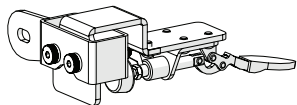
- 6 Move the bottom carriage back across the frame. After you pass each of the rear **M6 connector bolts**, pause to tighten them.



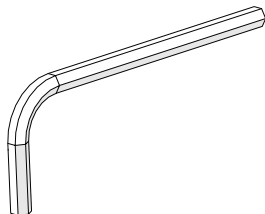
Task 4 - Install the Single Wheel Channel Lock

Parts & Tools Needed:

Single Wheel
Channel Lock



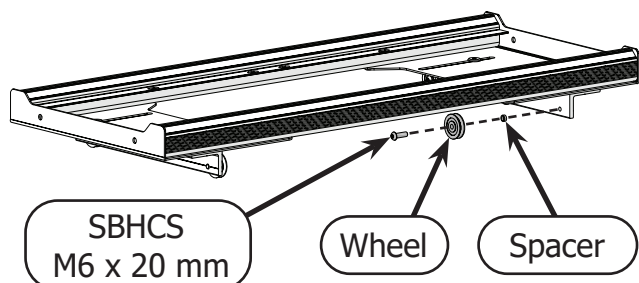
Allen Wrench
4 mm



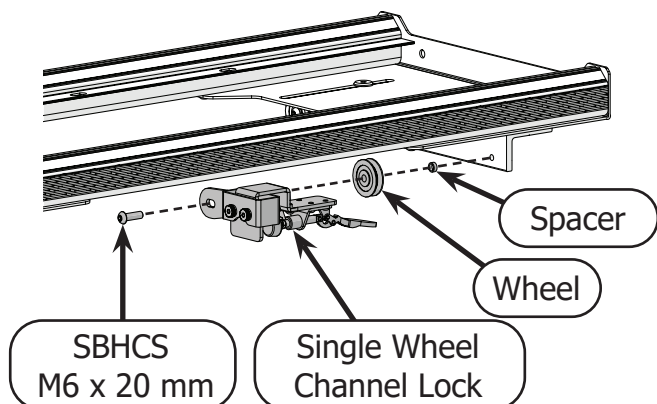
Instructions

The single wheel channel lock helps hold your bottom carriage in place on the frame. Take the following steps to install the channel lock to the bottom carriage:

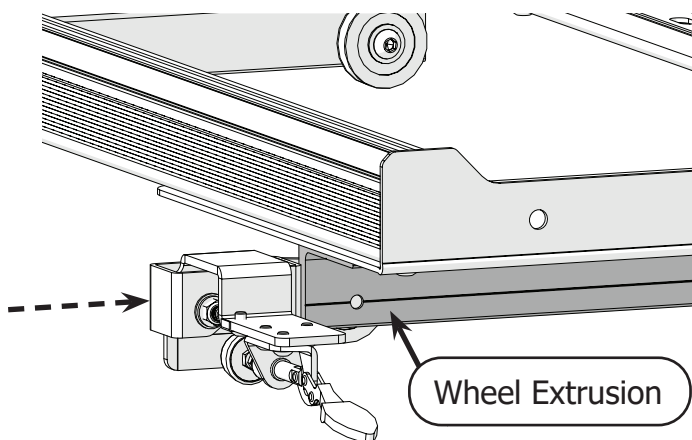
- 1 Use the 4 mm Allen wrench to remove the right rear **M6 x 20 mm SBHCS**, **wheel**, and **spacer** from the carriage.



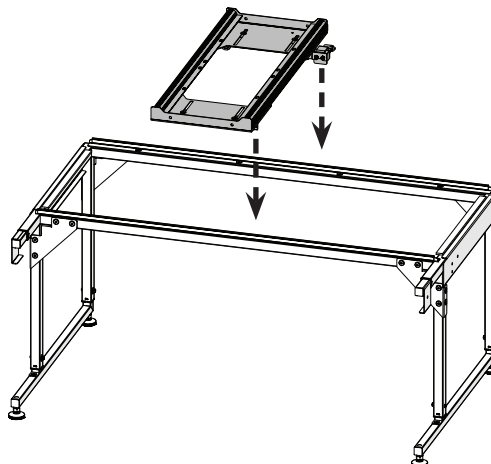
- 2 Install the **single wheel channel lock** with the **M6 x 20 mm SBHCS**, **wheel**, and **spacer**. Do not fully tighten the screw.



- 3 Position the channel lock even with the side of the **wheel extrusion**. Use the 4 mm Allen wrench to tighten in place.



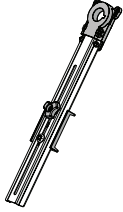
- 4 Return the bottom carriage to the frame with the channel lock in the rear.



Task 5 - Install the Rail Holder Brackets

Parts & Tools Needed:

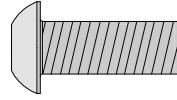
Left Rail Holder
Bracket (x2)



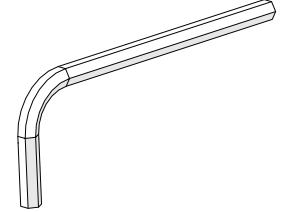
Right Rail Holder
Bracket (x2)



SBHCS
M6 x 16 mm (x4)



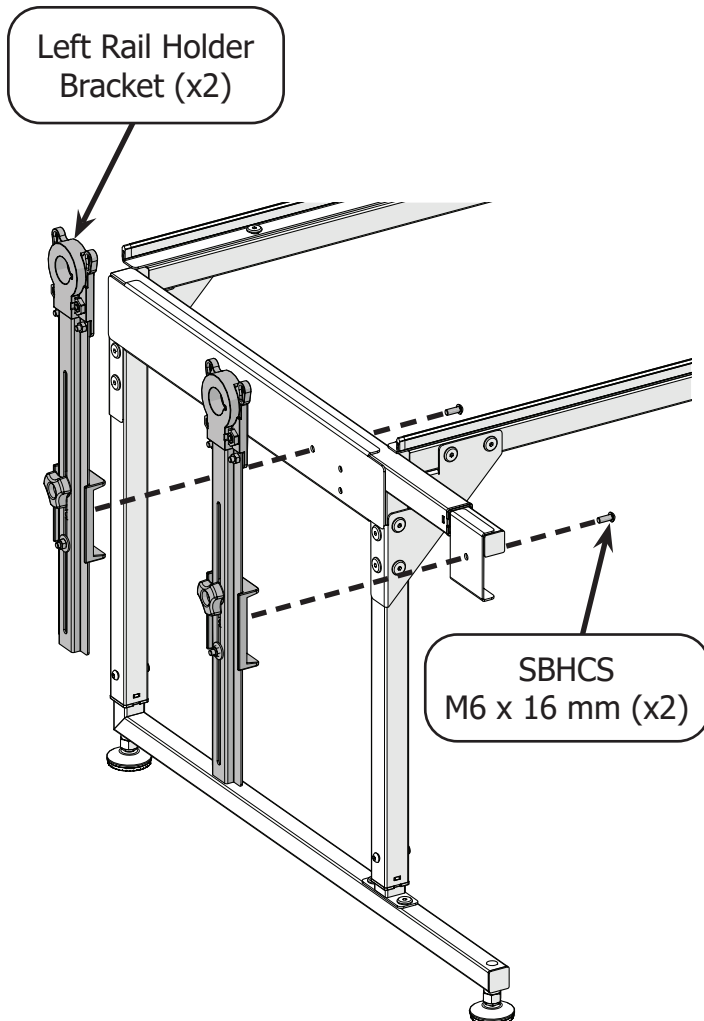
Allen Wrench
4 mm



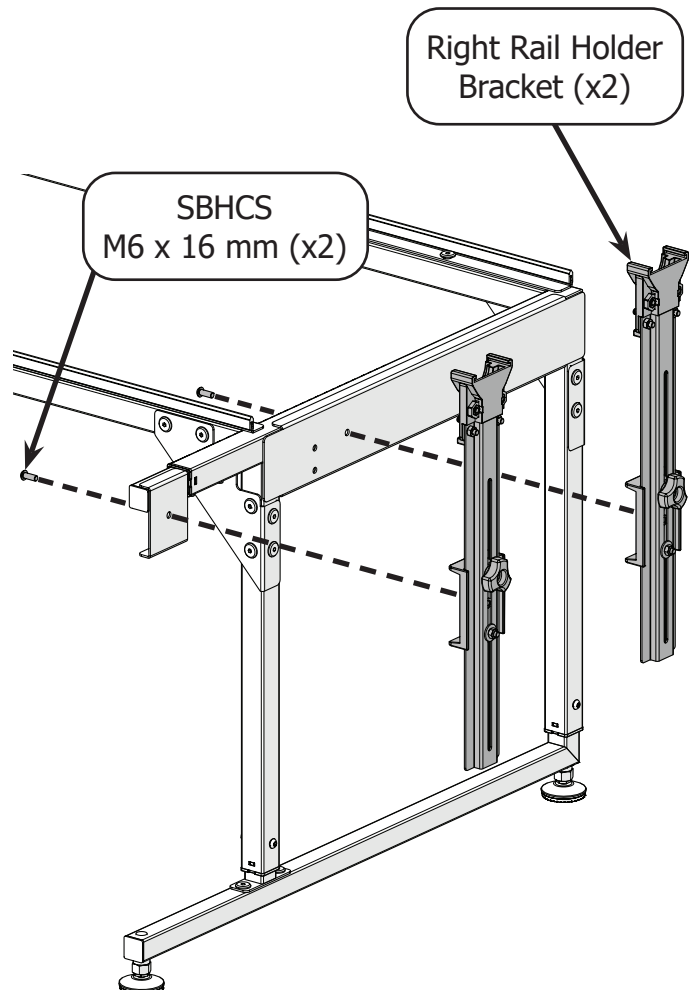
Instructions

Take the following steps to install the rail holder brackets:

- 1 Use the 4 mm Allen wrench and two **M6 x 16 mm SBHCS** to attach the two **left rail holder brackets** to the left side of the frame.



- 2 Use the 4 mm Allen wrench and two **M6 x 16 mm SBHCS** to attach the two **right rail holder brackets** to the right side of the frame.



Congratulations! You have completed Part One of the Crib Assembly instructions for the Q-Zone Queen Frame.

If you are also installing a new Q'nique quilting machine, turn to Part One of your machine manual now.

If you are going to be using a top plate with a domestic sewing machine, turn to your top plate manual and follow the instructions to fully assemble the top plate.

If you are not installing a new machine or top plate, but are installing QuiltMotion, turn to Part One of your QuiltMotion manual before moving on to Part Two of this manual.

If you are not installing a Q'nique machine or QuiltMotion at this time, continue to Queen Assembly Part Two of this manual on page 58.

Crib Assembly Part Two

Progress Checkpoint

Machine Manual

Have you completed Part One and Part Two

QuiltMotion Manual

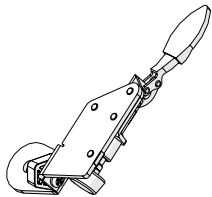
Have you completed Part One and Part Two?

If not, see your QuiltMotion or Machine manual for instructions on completing these steps before beginning Crib Assembly Part Two of this manual on the next page.

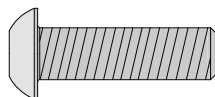
Task 6 - Install the Dual-Wheel Channel Lock

Parts & Tools Needed:

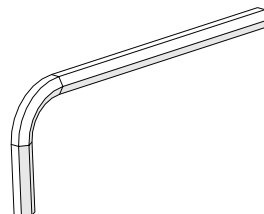
**Dual-Wheel
Channel Lock**



**SBHCS
M6 x 20 mm**



**Allen Wrench
4 mm**



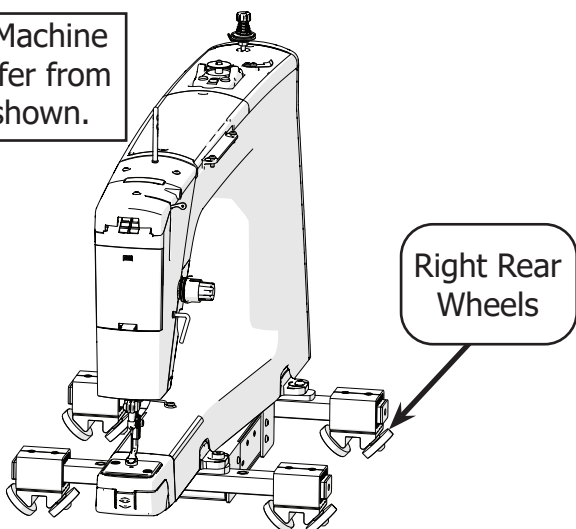
If using a top plate,
skip to Part Three on
page 62.

Instructions

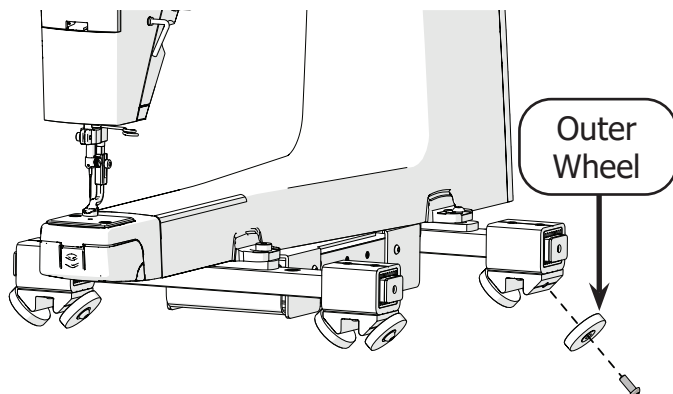
Channel locks restrict the movement of the machine or bottom carriage along one axis, so that it is easy to create a straight line. The machine channel lock stops the movement of the machine along the front-to-back axis to assist with making horizontal lines.

- 1 Locate the machine's **right rear wheels**.

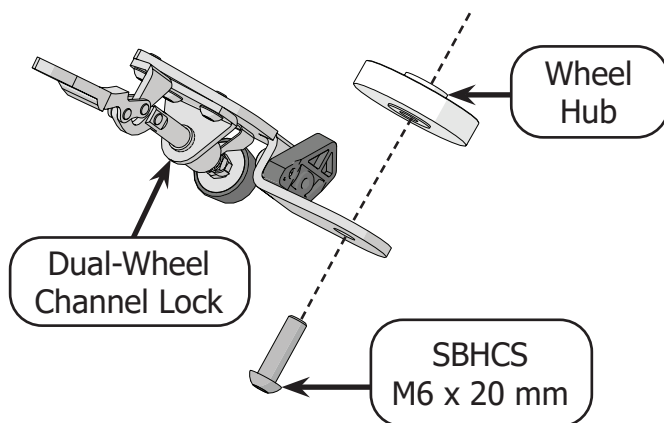
Note: Machine may differ from model shown.



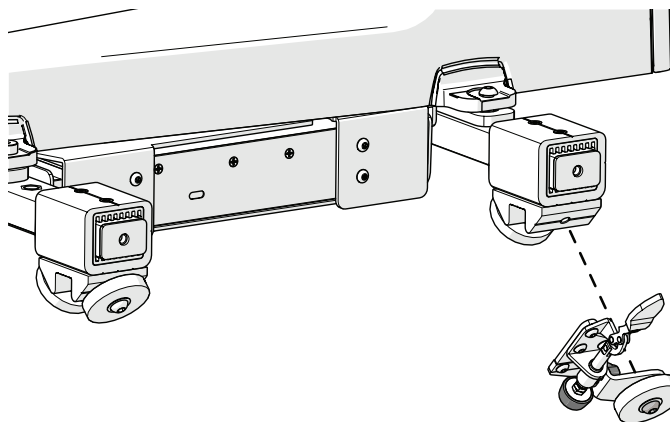
- 2 Use a 4 mm Allen wrench to remove the **outside wheel** and **wheel screw**. The wheel screw will not be needed again and can be stored with the packaging materials.



- 3 Place the **dual-wheel channel lock** onto the **M6 x 20 mm SBHCS**. Follow it with the wheel, with the **wheel hub** facing away from the channel lock.

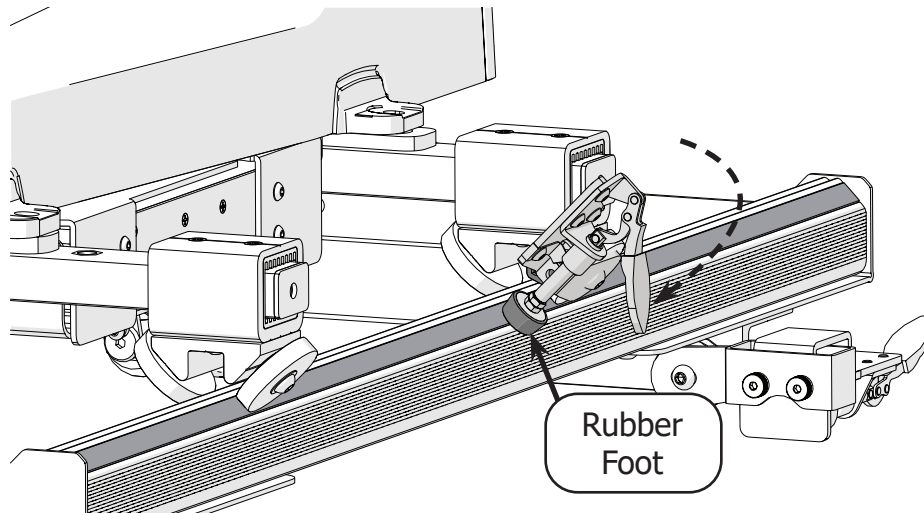


- 4 Screw the channel lock and wheel onto the machine so the channel lock body is toward the front of the machine. Use a 4 mm Allen wrench to attach.

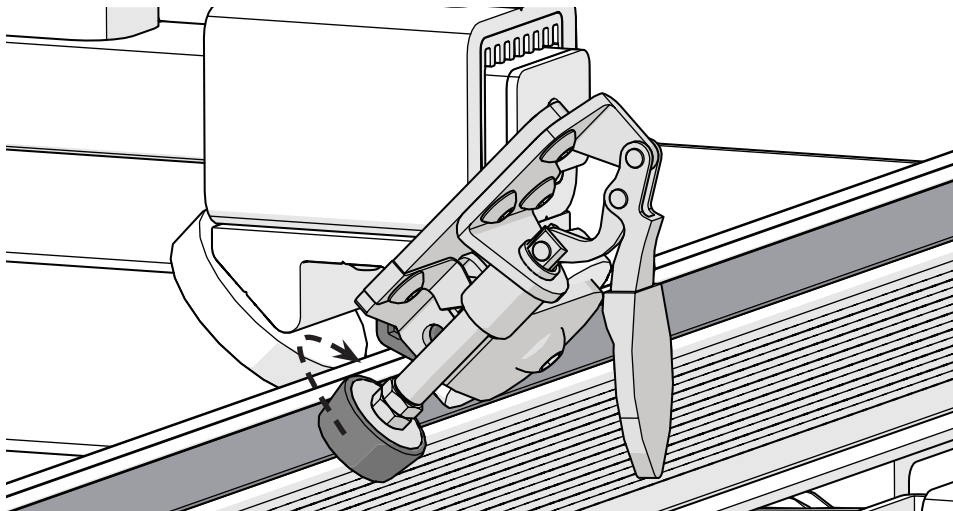


Task 6 - Install the Dual-Wheel Channel Lock (continued)

- 5 Close the channel lock handle and test it out. The **rubber foot** should press firmly against the bottom carriage tracks and prevent the machine from moving front-to-back on the carriage.

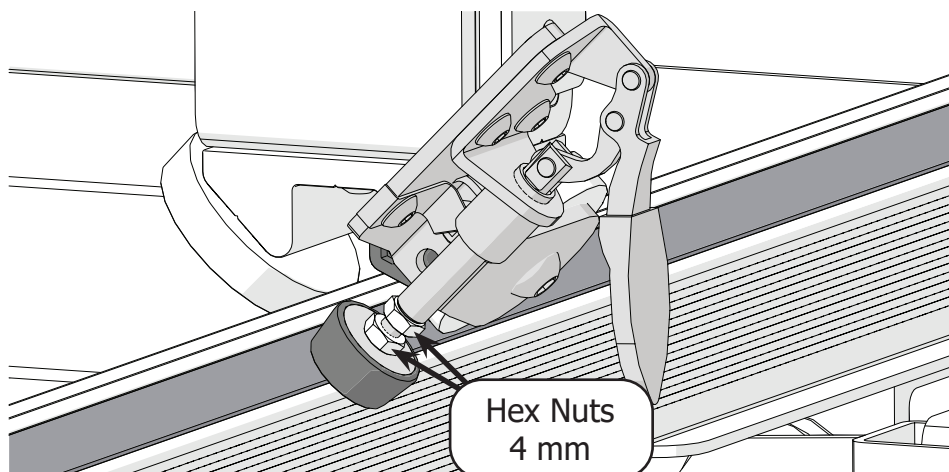


- 6 If the channel lock doesn't fully reach track, or its grip on the track seems loose, twist the rubber foot clockwise to extend it.



Note: If twisted too far, the handle will start to open, and eventually the foot will fall out. Reverse the direction you're twisting until the handle is pointing down, but the foot still reaches the track.

- 7 **Optional step:** Prevent the channel lock from loosening over time by using needle nose pliers or a wrench to tighten the bottom 4 mm hex nut against the rubber foot. Tighten the other hex nut against the channel lock barrel.



Congratulations! You have completed Part Two of the Crib Assembly for the Q-Zone Queen frame.

If you are also installing a new Q'nique quilting machine, turn to Part Three of your machine manual.

If you are not installing a Q'nique machine at this time, continue to Crib Assembly Part Three of this manual on page 62.

Crib Assembly Part Three

Progress Checkpoint

Machine Manual

Have you:

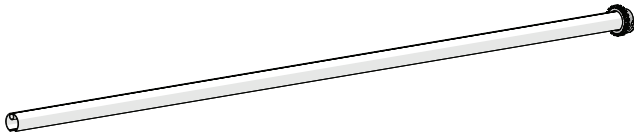
- Installed the wheel covers, handlebars, display, thread mast, upper encoder, and power cable?

If not, see your Machine manual for instructions on completing these steps before beginning Crib Assembly Part Three of this manual on the next page.

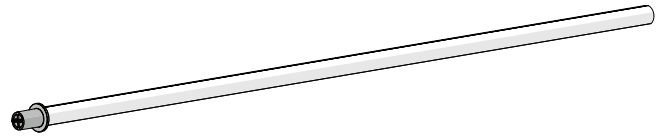
Task 7 - Install the Rails

Parts & Tools Needed:

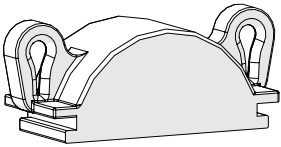
**Ratcheting Rail
Section (x2)**



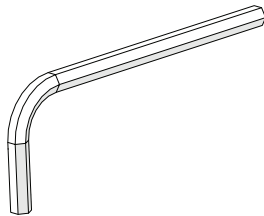
**Floating Rail
Section (x2)**



Ratchet Cap (x2)



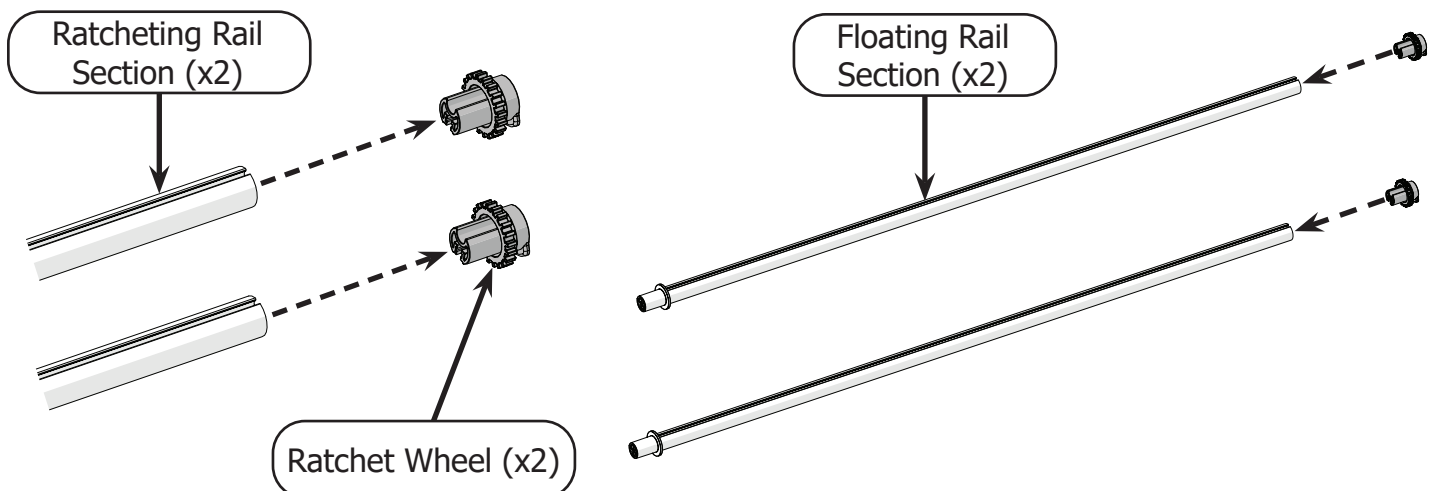
**Allen Wrench
3 mm**



Installation Instructions

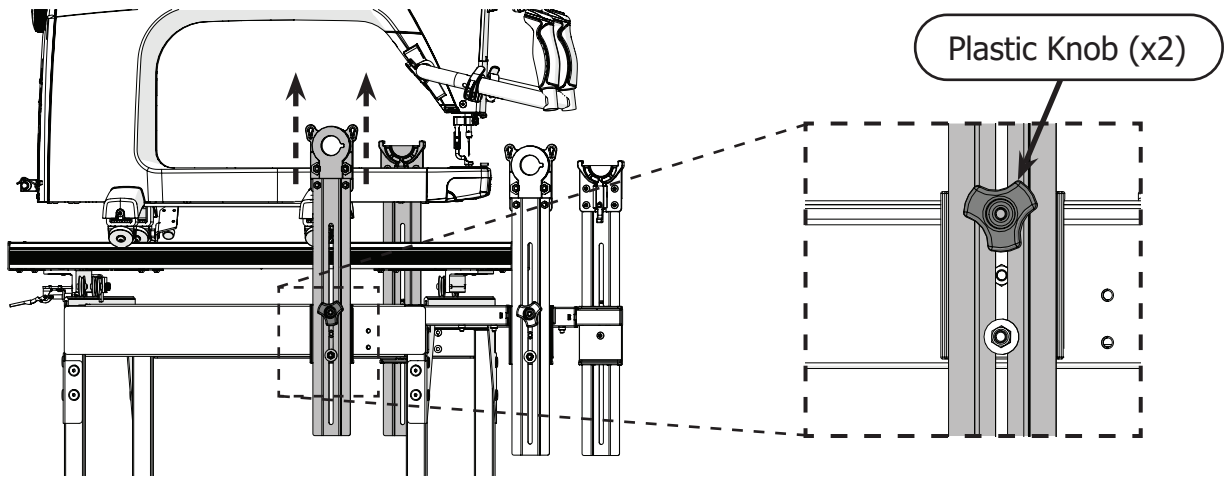
Take the following steps to install the rails:

- 1 Remove the **ratchet wheels** from the two **ratcheting rail** sections and insert them into the open ends of the two **floating rail sections**.

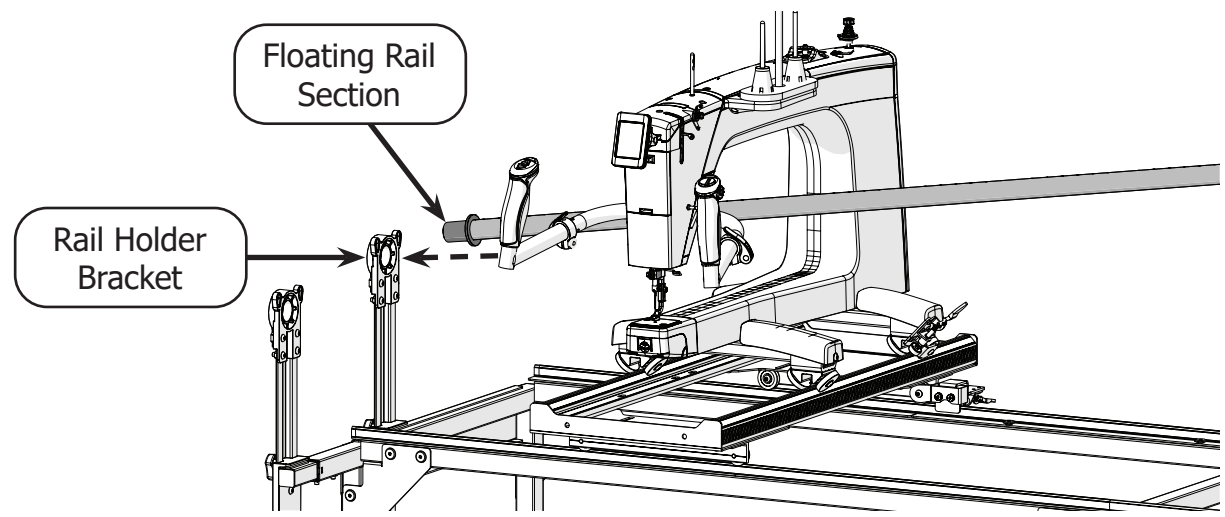


Task 7 - Install the Rails (continued)

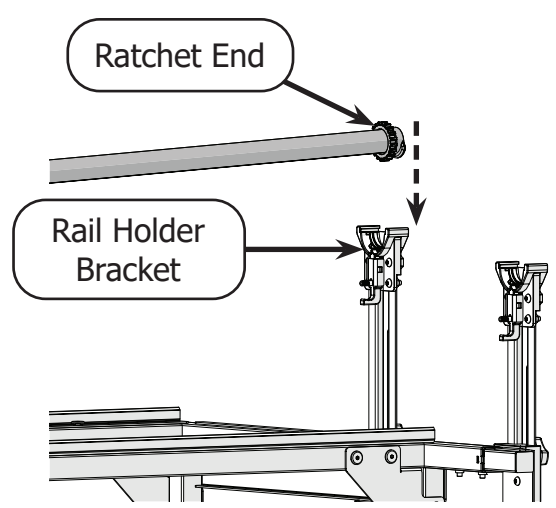
- 2 Raise the rear rail holder brackets by loosening the **plastic knob** on both of the rear bracket holders and sliding the bracket up high enough that the rail can pass through the throat of the machine. Make sure both rear brackets are raised to the same height and re-tighten the knobs.



- 3 With the machine towards the left of the frame, slide one of the rails through the machine's throat and insert the end of the **floating rail section** into the rear left **rail holder bracket**.

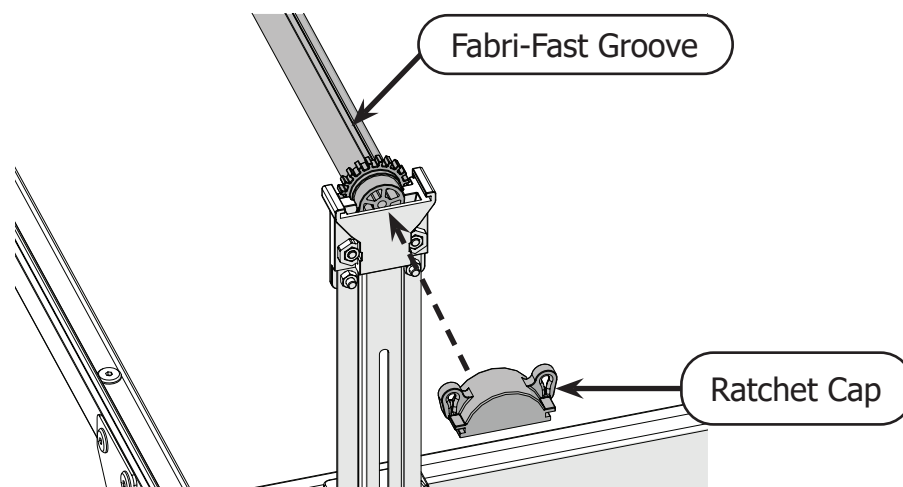


- 4 Place the **ratchet end** of the rail in the top of the rear right **rail holder bracket**.

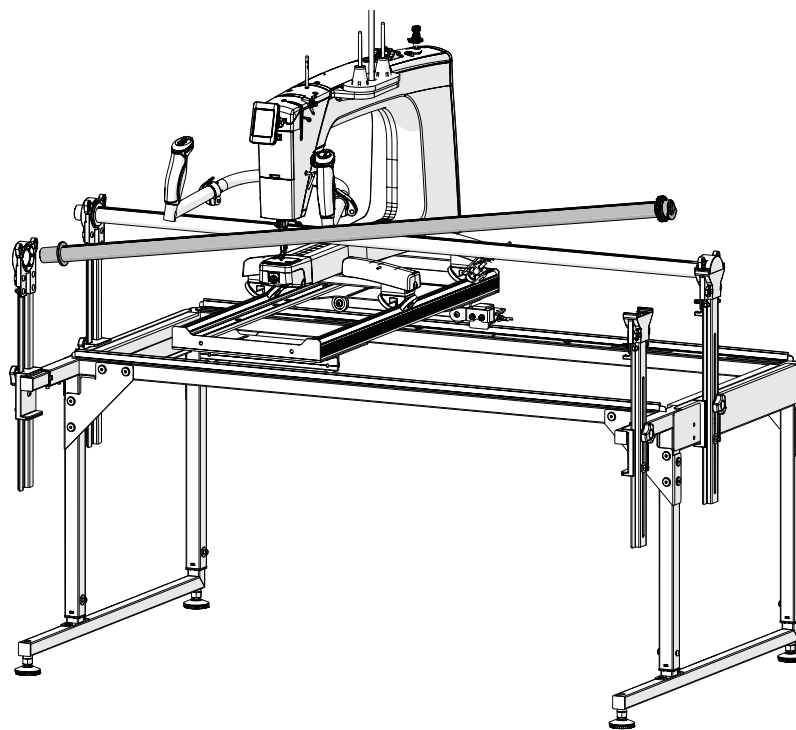


Task 7 - Install the Rails (continued)

- 5 Turn the rail until the **tab** on the ratchet wheel is inside the bracket. Then slide the **ratchet cap** onto the top of the bracket.



- 6 Repeat steps 3-5 for the other rail, placing it in the front rail holder brackets.

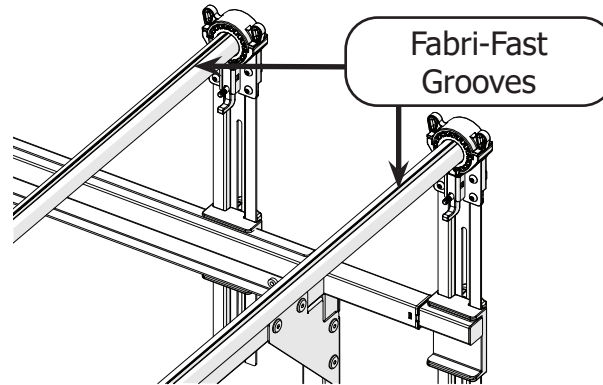


Task 7 - Install the Rails (continued)

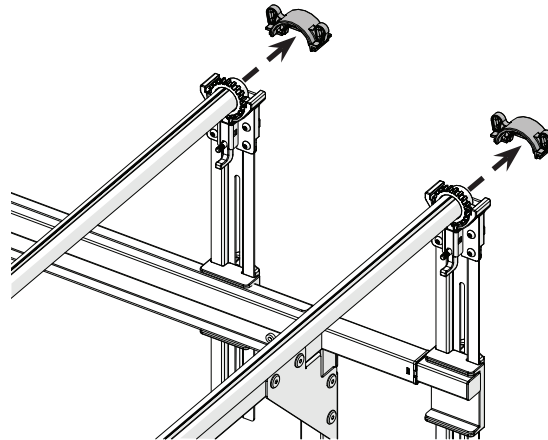
Removal Instructions

When needed, take the following steps to remove the rails:

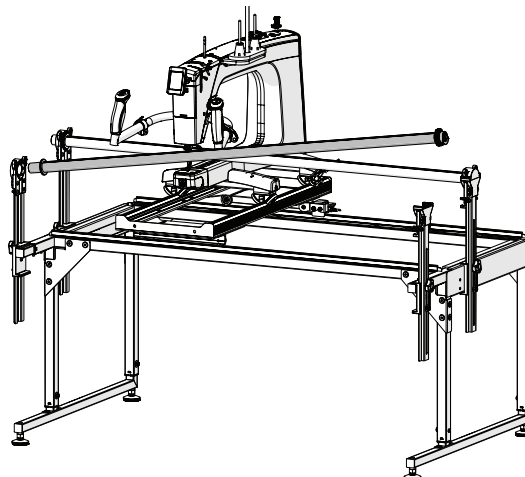
- 1 Turn the rails until the **Fabri-Fast grooves** are facing up.



- 2 Remove the ratchet covers



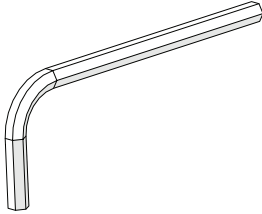
- 3 Remove the rails by lifting the right side out of the right rail holder brackets and pulling the left side out of the left rail holder brackets.



Task 8 - Adjust the Rails

Parts & Tools Needed:

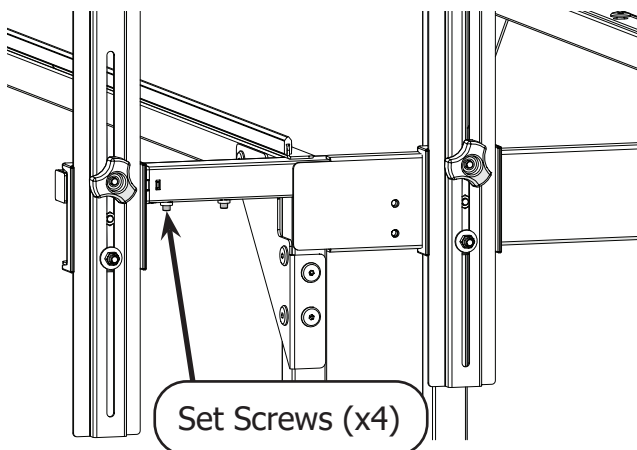
Allen Wrench
4 mm



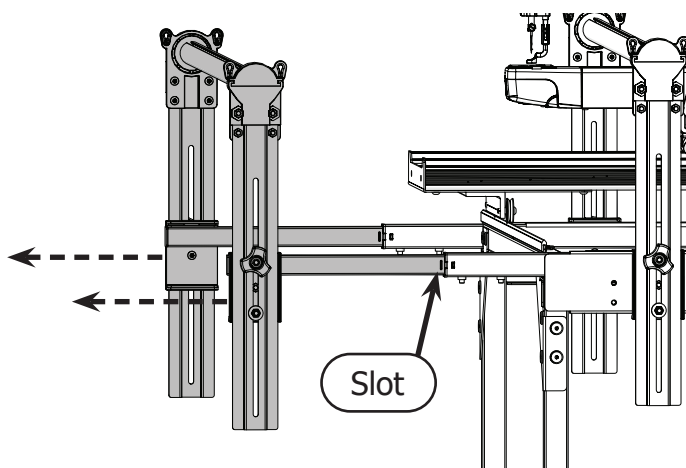
Instructions

Take the following steps to adjust the rails to match your machine:

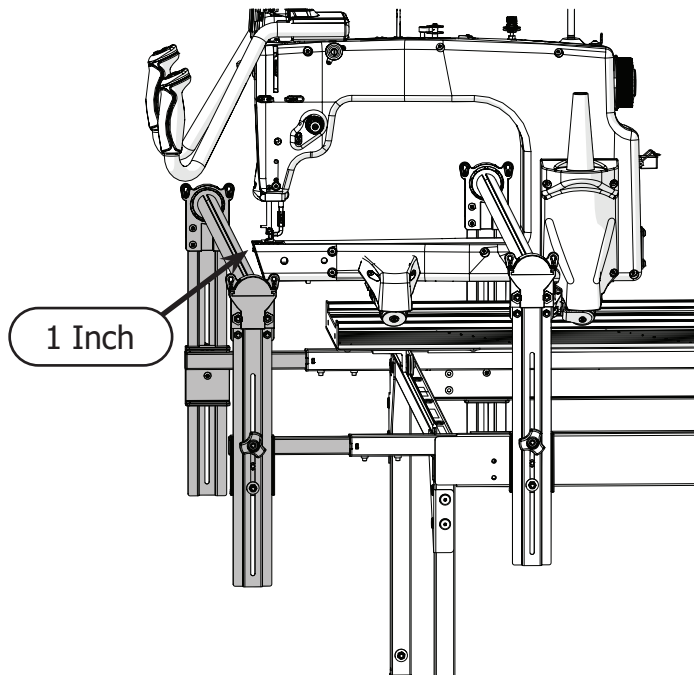
- 1 Use the 4 mm Allen wrench to loosen, but not remove, the four **set screws** in the right and left extension arm.



- 2 Pull on the brackets to extend the quilt-backing rail until you see the **slot** on the extension arms. Tighten the set screws.

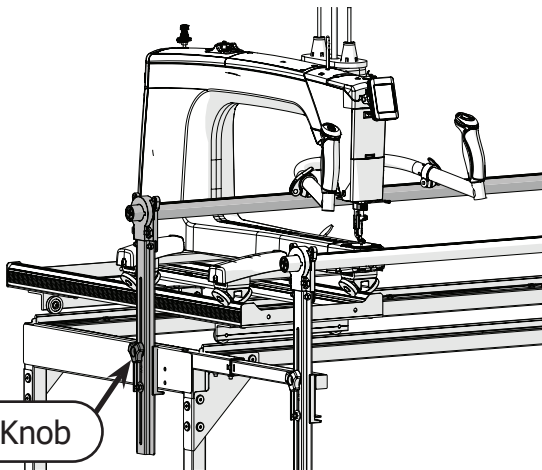


Note: If your machine has a throat length of less than 16 inches, move the machine as far forward as you can and then adjust the quilt-backing rail until it is 1 inch from the front of the machine. Tighten the set screws.

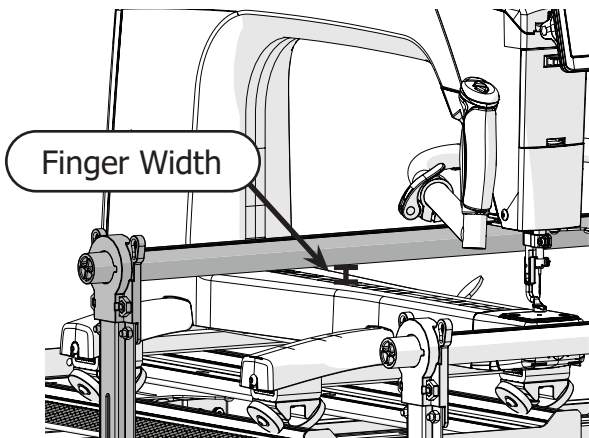


Task 8 - Adjust the Rails (continued)

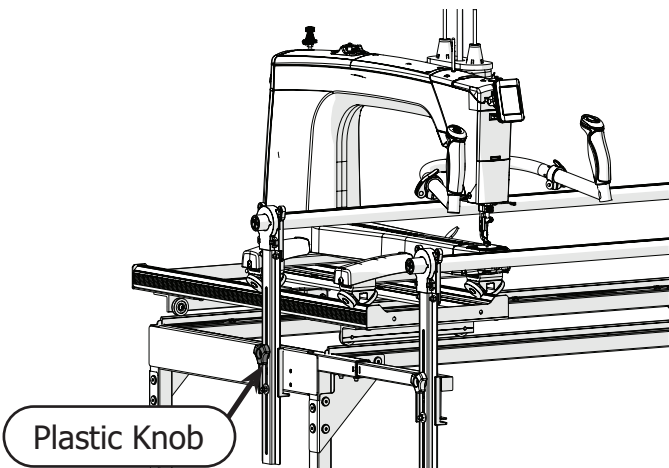
- 3 With the machine on the left side of the frame, loosen the **plastic knob** on the left rail holder bracket for the take-up rail.



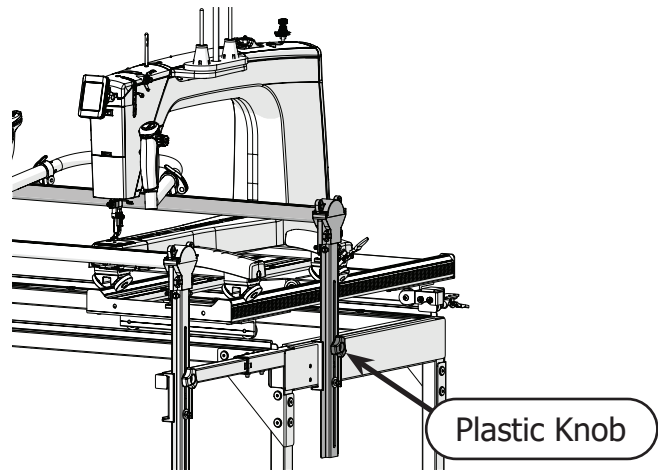
- 4 Adjust the height of the rail holder bracket until there is a **finger width** of space between the bottom of the take-up rail and the machine.



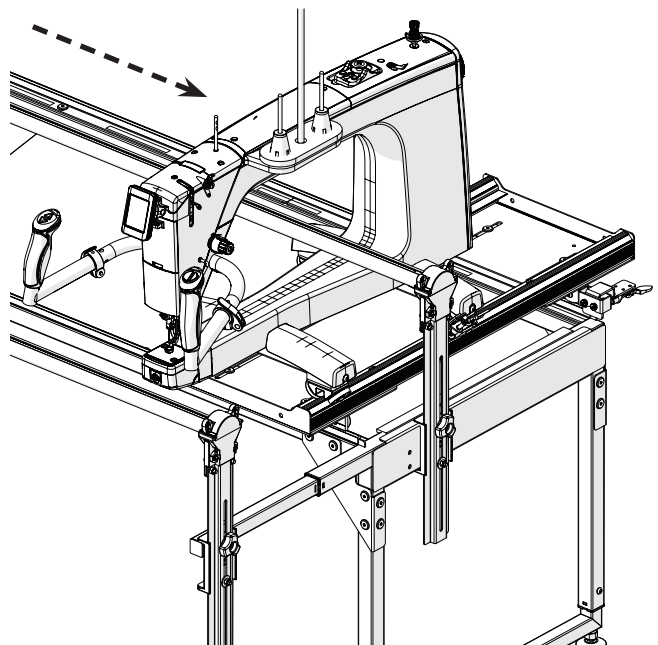
- 5 Tighten the **plastic knob** to hold the rail in place.



- 6 Move the machine to the right side of the frame and repeat steps 3-5 for the right rear rail holder bracket.

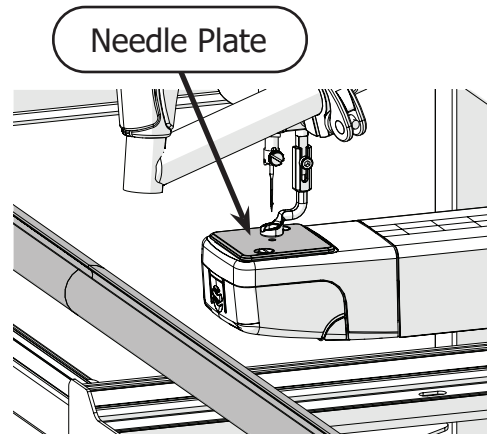
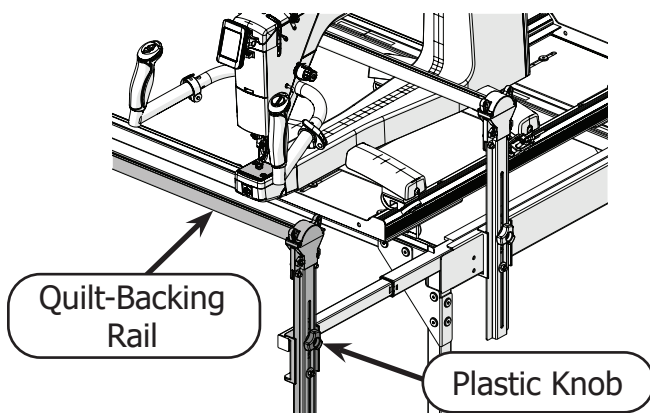


- 7 Roll the machine forward to the front of the right side of the frame.

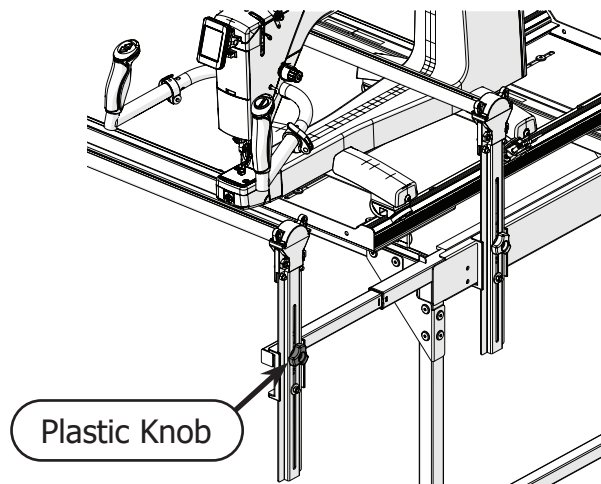


Task 8 - Adjust the Rails (continued)

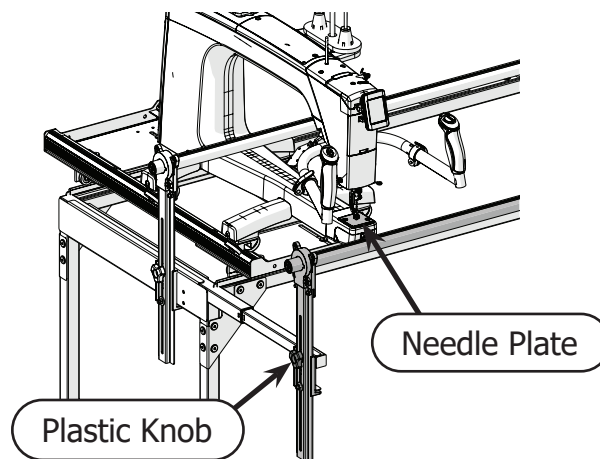
- 8 Loosen the **plastic knob** on the right rail holder bracket for the **quilt-backing rail** and adjust the height of the bracket until the top of the rail is even with the machine's **needle plate**.



- 9 Tighten the **plastic knob** to hold the rail in place.



- 10 Move the machine to the left side of the frame and repeat steps 8-9 for the left front rail holder bracket.



Task 9 - Leveling the Frame

Parts & Tools Needed:

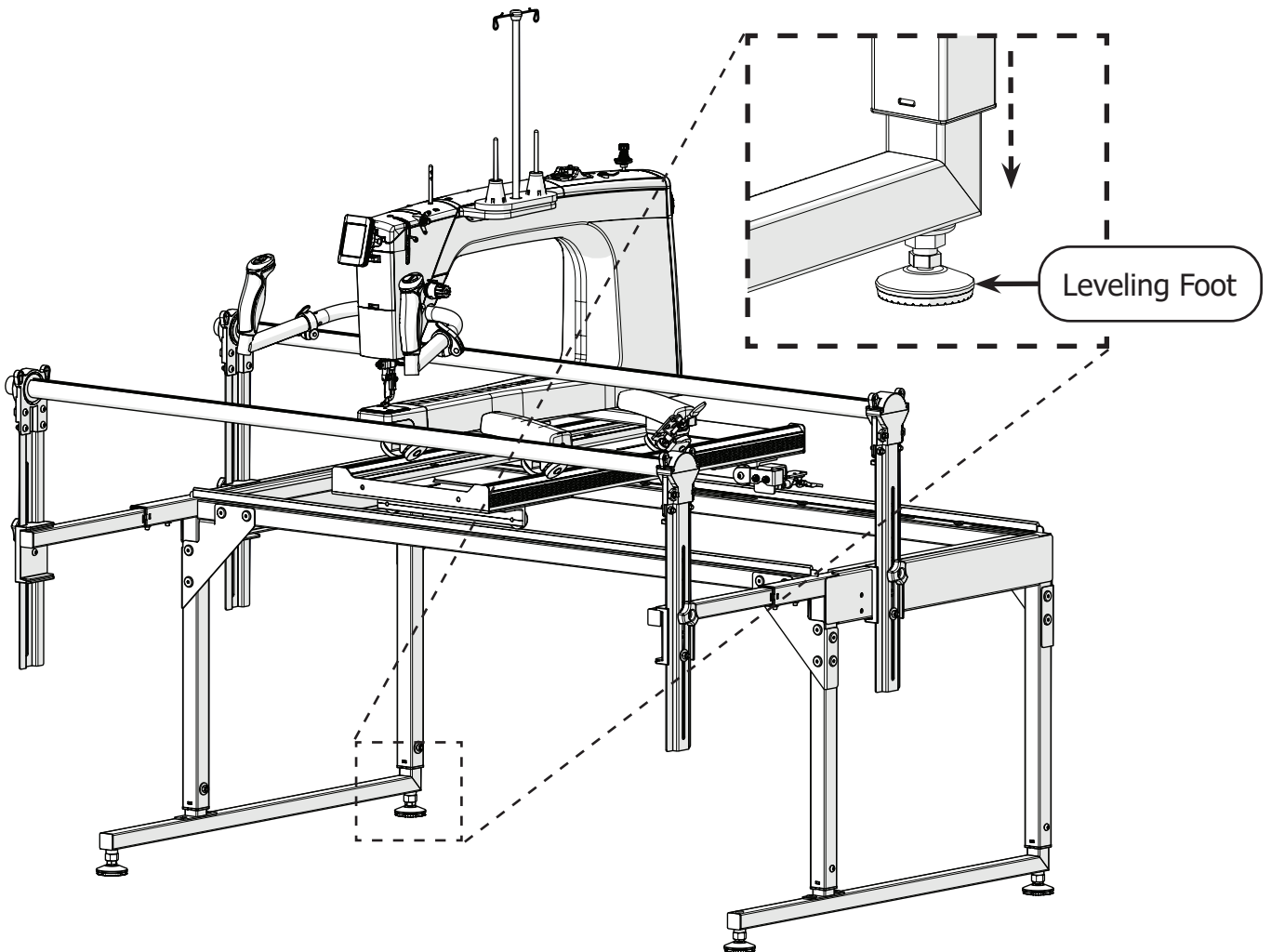
Open End Wrench
14 mm and 17 mm



Instructions

Take the following steps to adjust the frame's feet to make sure the frame is level and smooth:

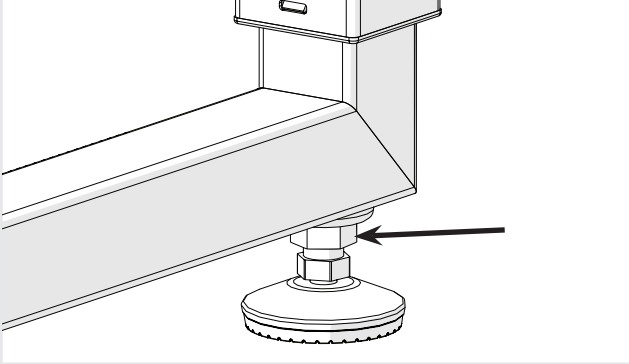
- 1 Begin by lowering the frame as far as it will go (see next page for leveling foot adjustment steps).



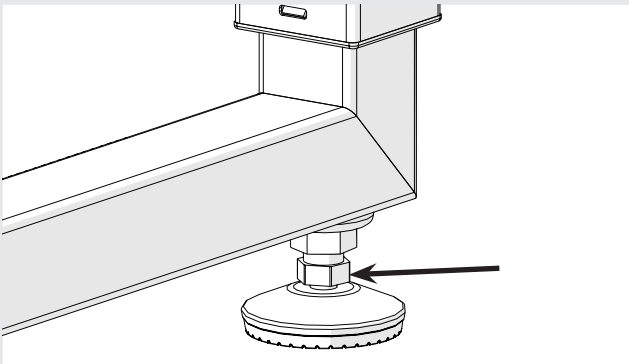
Task 9 - Leveling the Frame (continued)

Leveling Foot Adjustment

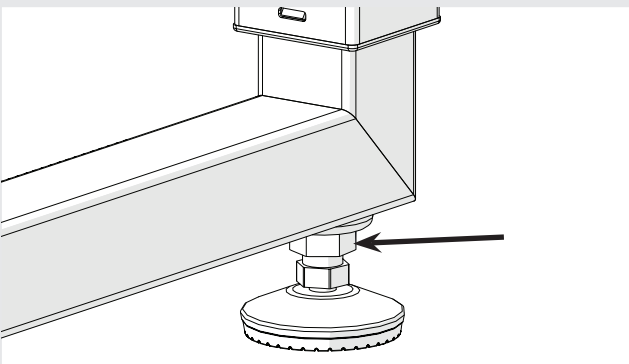
- a Loosen the top nut on the leveling foot with the 17 mm Open-end wrench.



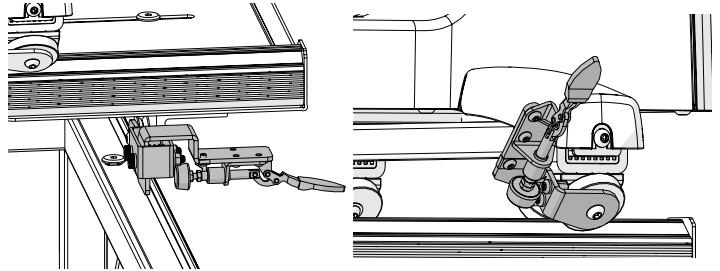
- b Turn the bottom nut with the 14 mm Open-end wrench until the desired height is set. Turn counter-clockwise to lower the frame. Turn clockwise to raise the frame.



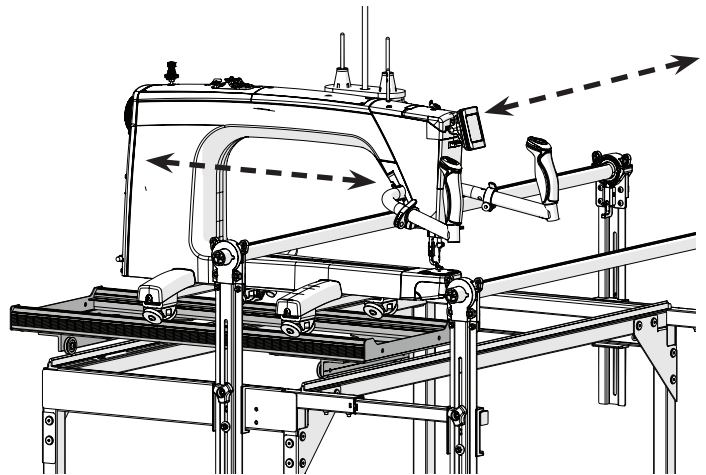
- c Tighten the top nut with the 17 mm Open-end wrench until it is firm against the frame leg.



- 2 After lowering the frame, make sure both channel locks are open so the machine and bottom carriage can roll freely.



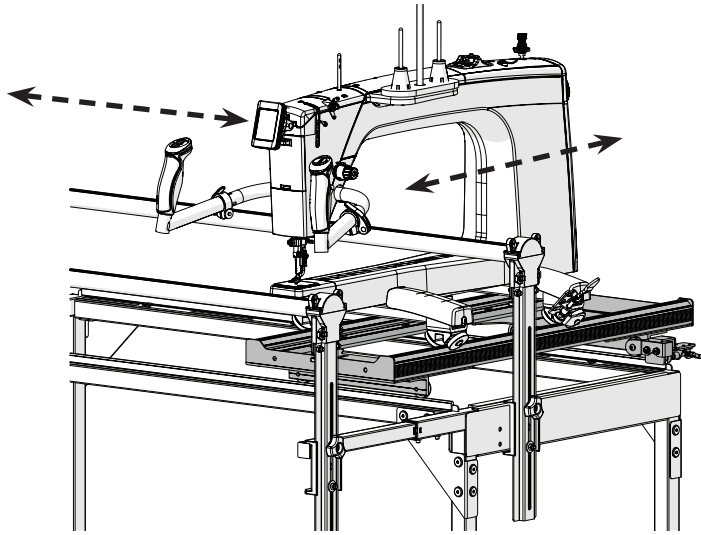
- 3 Move the machine to the left side of the frame and place the machine in the middle of the bottom carriage. Let go of the machine to see if it rolls and in which direction.



- If the machine rolls towards the middle of the frame, raise the middle feet.
- If it rolls towards the front, raise the front foot.
- If it rolls towards the rear, raise the rear foot.

Note: Due to the weight of the machine, some slight movement is normal. The goal is to prevent the machine from rolling across the frame.

- 4 Repeat the process with machine on the right side of the frame.



Congratulations! You have completed Part Three of the Crib Assembly instructions for the Q-Zone Queen frame.

If you are also installing QuiltMotion, turn to Part Three of your QuiltMotion manual.

If you are not installing QuiltMotion at this time, continue to Part Four of this manual on page 74.

Part Four

Progress Checkpoint

QuiltMotion Manual

Have you:

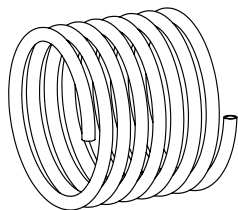
- Completed Part Three?

If not, see your QuiltMotion manual for instructions on completing those steps before beginning Part Four of your machine manual on the next page.

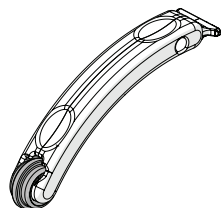
Task 10 - Attaching the Fabric

Parts & Tools Needed:

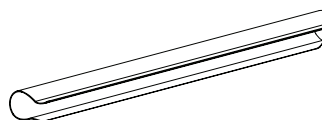
**Fabri-Fast
Tubing (x2)**



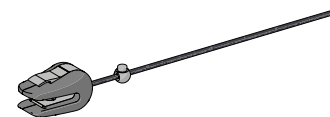
Fabri-Fast Tool



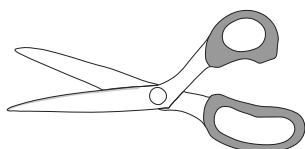
C-Clamp (x4)



**Bungee Clamp
Accessory (x4)**

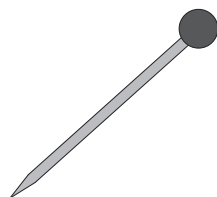


Scissors



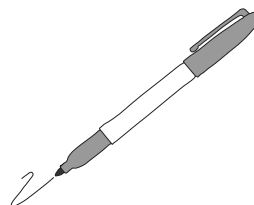
(not included)

Pins



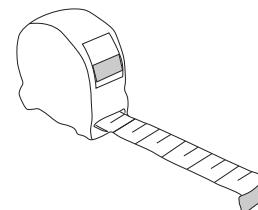
(not included)

Marker



(not included)

Tape Measure

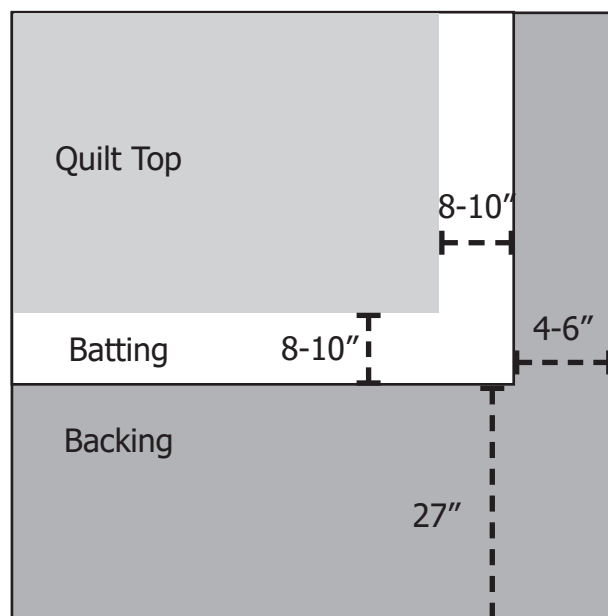


(not included)

Instructions

Take the following steps to prepare and attach your fabric to your frame:

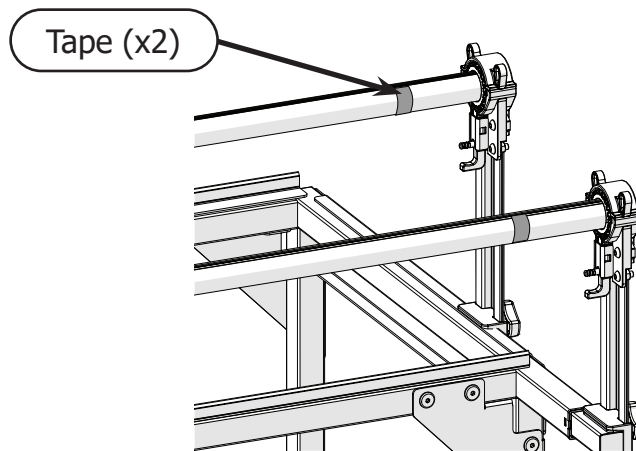
- 1 Measure and cut the pieces that you will use for your "quilt sandwich."
Cut the batting to be about 8-10 inches wider and longer than your quilt top.
Cut the backing to be about 4-6 inches wider and 27 inches longer than your batting.



Note: The Grace Company strongly recommends using cloth leaders to help attach your fabric because they allow you to use less backing fabric, which saves you money, and they also make attaching the fabric easier. Visit graceframe.com for pricing and other information.

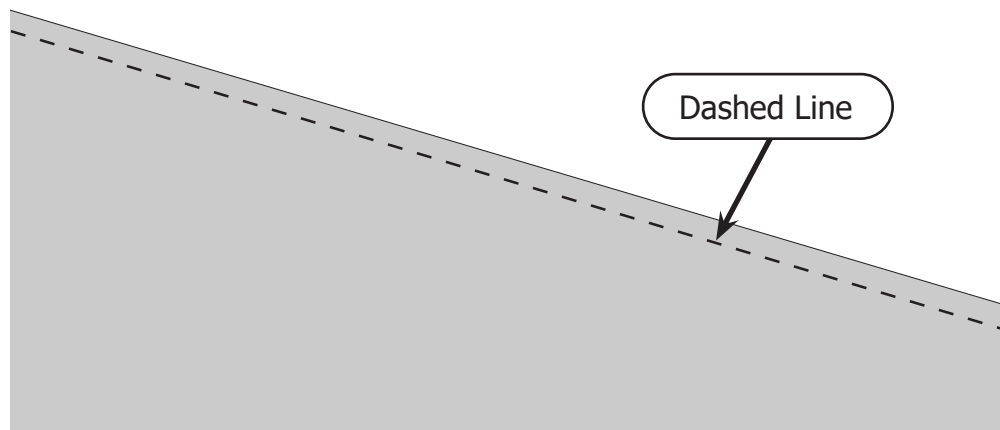
Task 10 - Attaching the Fabric (continued)

- 2 Use a tape measure to measure seven inches from the right side of each of the rails. Mark these positions with pieces of **tape** on each rail. You can use these marks to align your fabric and make sure it is straight. These marks can be adjusted as needed depending on the size of your quilts

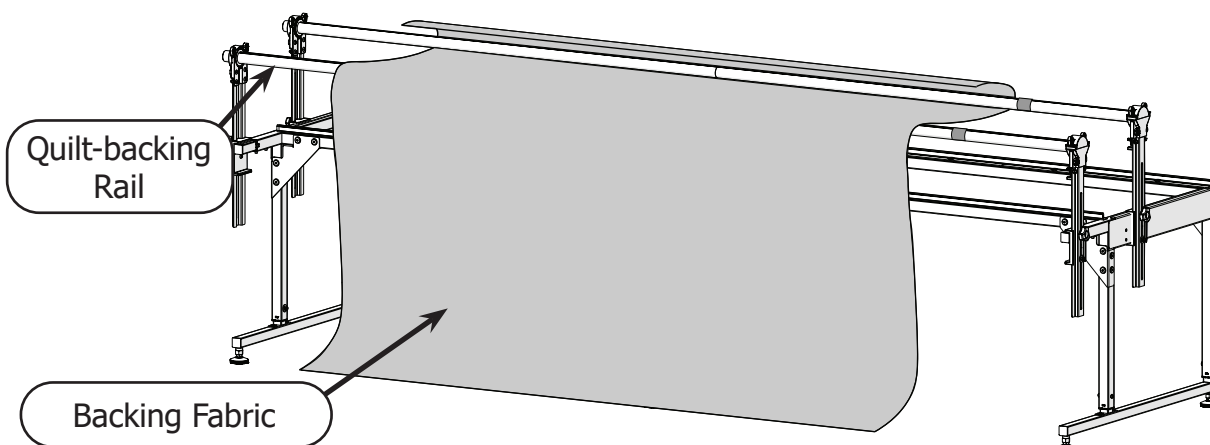


Note: Do not cover the Fabri-Fast grooves with the tape.

- 3 Use a marker to draw a **dashed line** on the right side of your backing (the side you want to be visible when the quilt is finished) about half an inch from the top edge.

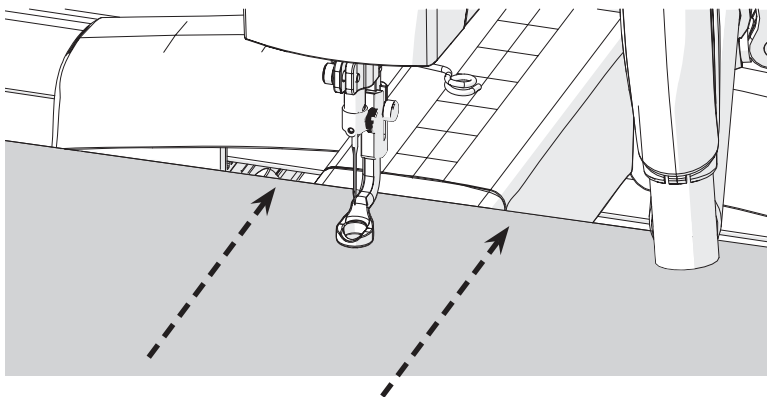


- 4 To attach the **backing fabric**, place the fabric over the **quilt-backing rail** with the right side facing down. Bring the top of the fabric under and behind the **take-up rail** so that the fabric is above the top of the take-up rail and the dashed line from the previous step is on top.



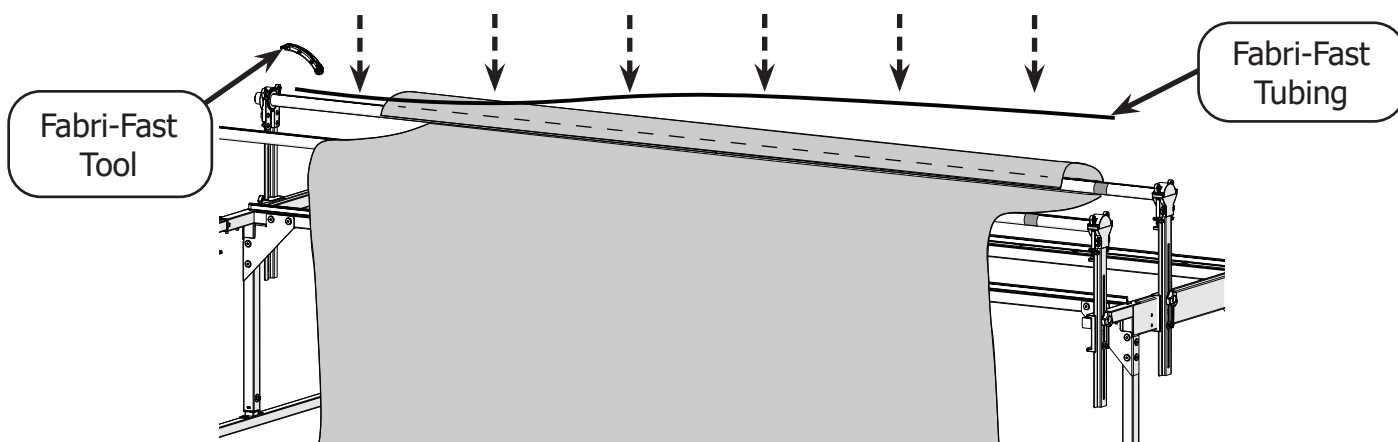
Task 10 - Attaching the Fabric (continued)

- 5 If you have enough space on your frame, you can keep your machine to the side while you attach your fabric. Otherwise, keep your needle raised and slide the fabric underneath the hopping foot.

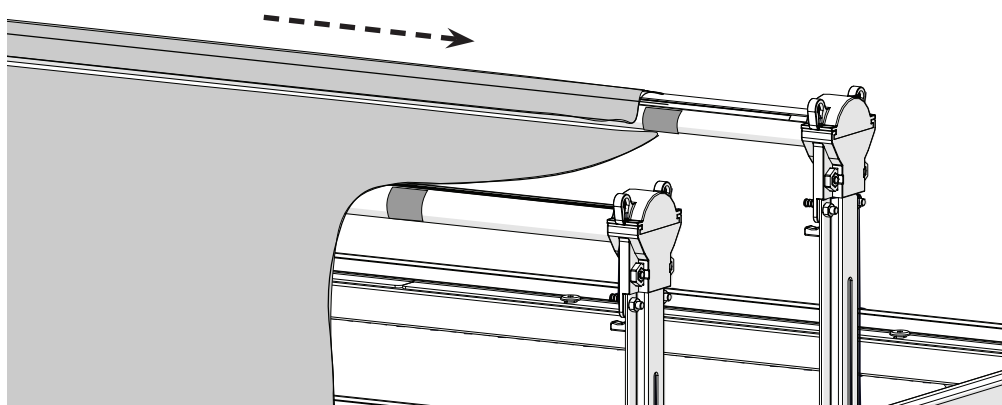


Note: In order to better show the fabric attaching with the rails, the images in this task will not have a machine shown.

- 6 Begin at one end of the quilt-backing rail and press the end of the **Fabri-Fast tubing** into the groove in the rail. Use the **Fabri-Fast tool** to press the tubing into the length of the rail, following the dashed line on the backing fabric to make sure it is straight as it gets pressed into the rail.

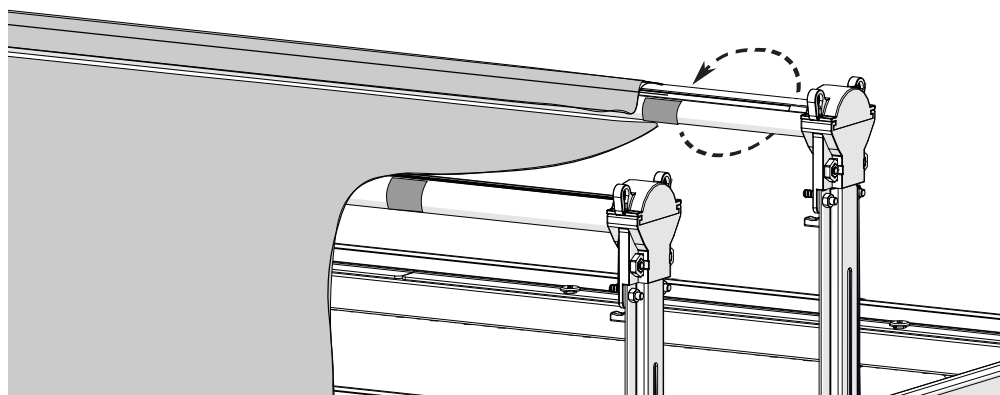


- 7 Once the tubing is installed, shift the fabric to the side to line it up with the tape markers you placed earlier.

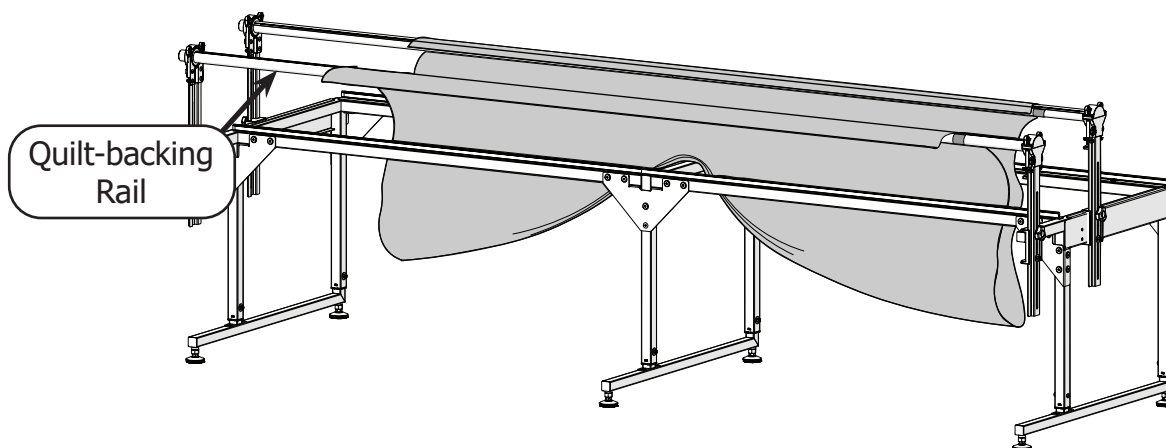


Task 10 - Attaching the Fabric (continued)

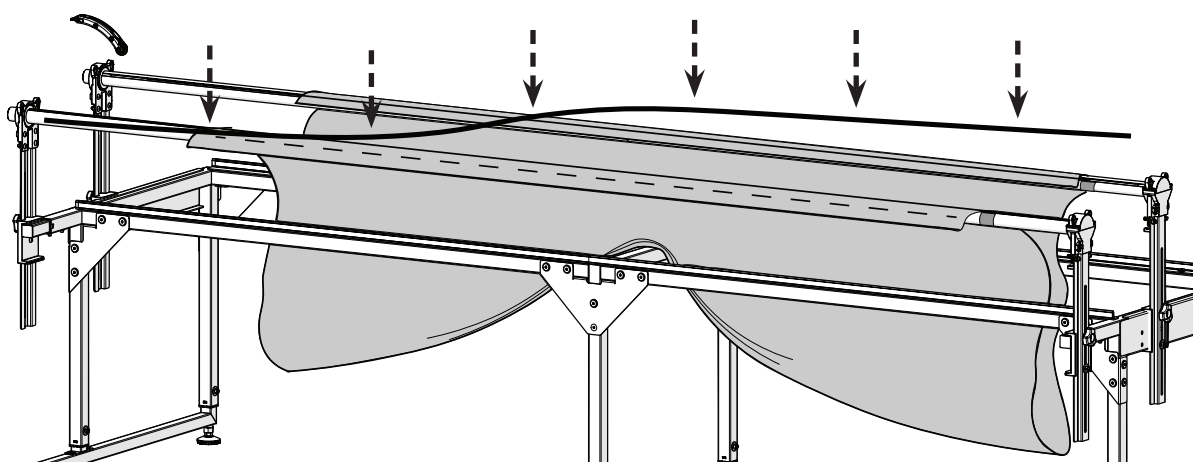
- 8 Twist the top of the take-up rail towards you to begin rolling the backing fabric onto the rail. Turn it at least one full rotation to hold the fabric in place.



- 9 Move the extra backing in between the two rails until the bottom of your backing is on the quilt-backing rail.

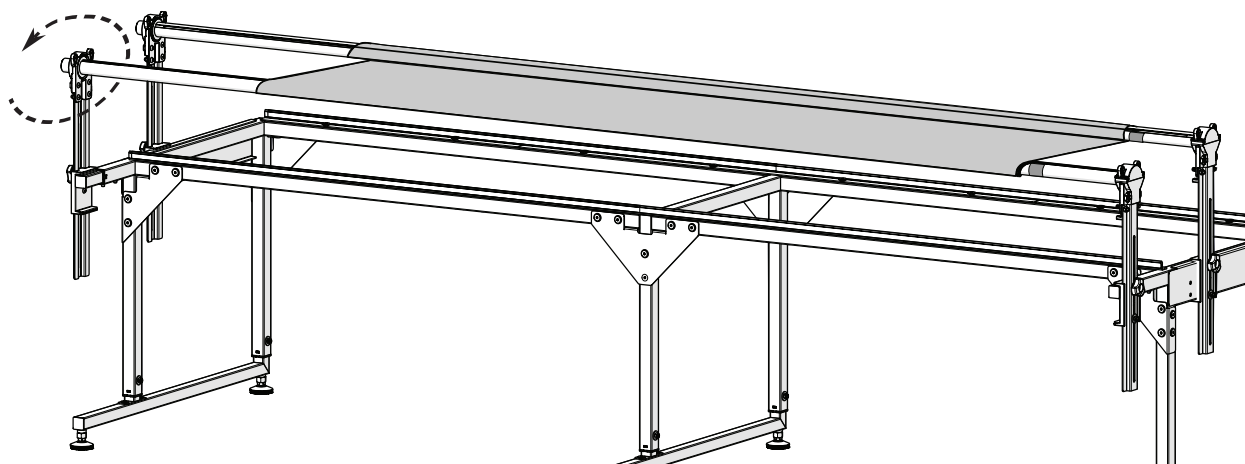


- 10 Repeat steps 4-6 to install the Fabri-Fast tubing into the quilt-backing rail.

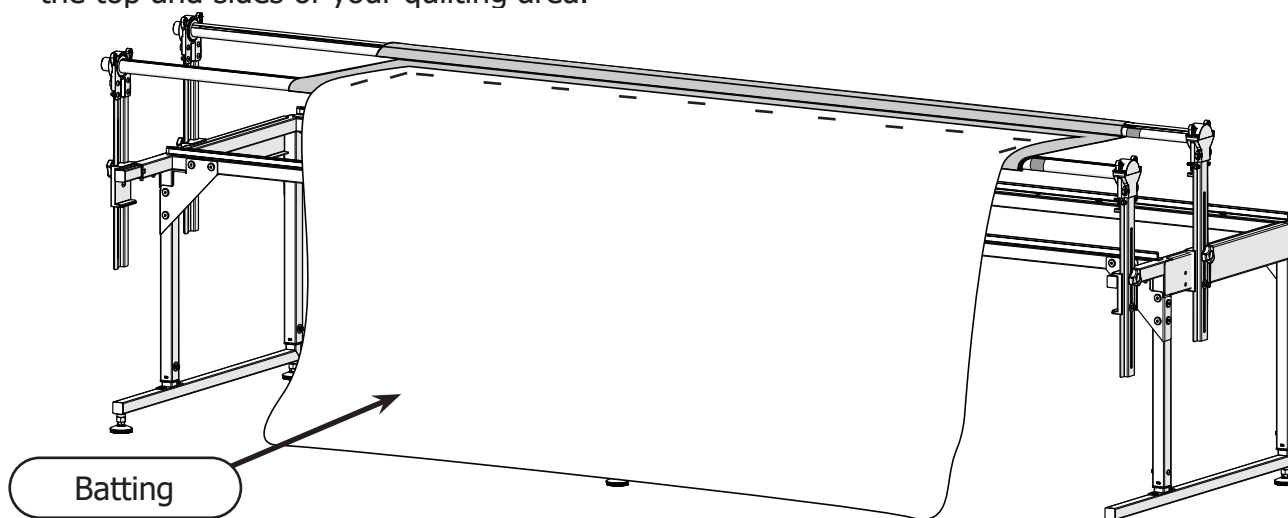


Task 10 - Attaching the Fabric (continued)

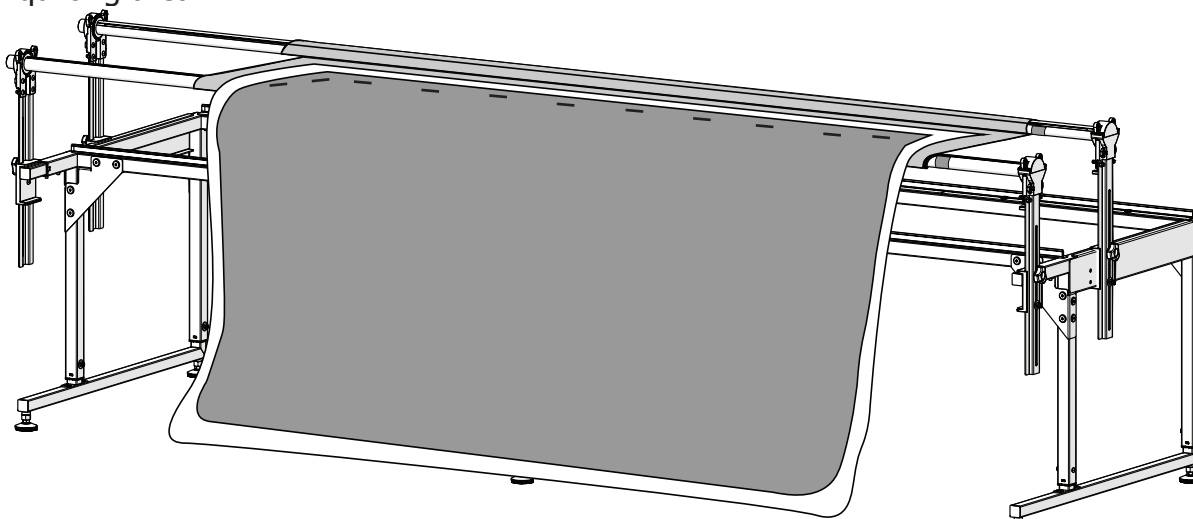
- 11 Twist the top of the quilt-backing rail towards you to roll the extra backing fabric onto the rail. Continue until all of the extra fabric is rolled up.



- 12 Center your **batting** on top of the backing with the fuzzier side of the batting facing up and pin the top and sides of your quilting area.

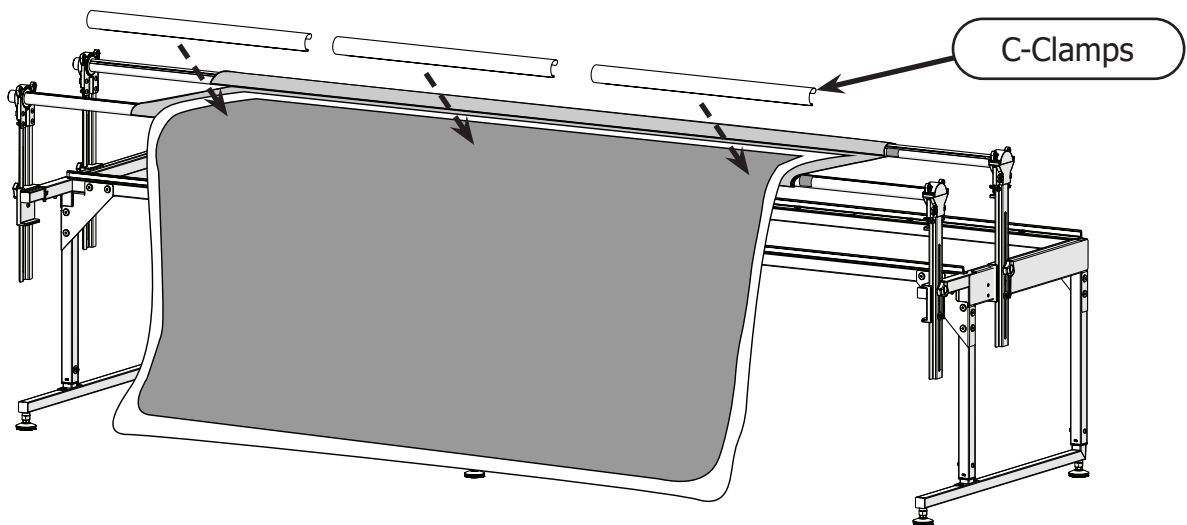


- 13 Center your **quilt top** on top of the batting with the right side up and pin the top and sides of your quilting area.

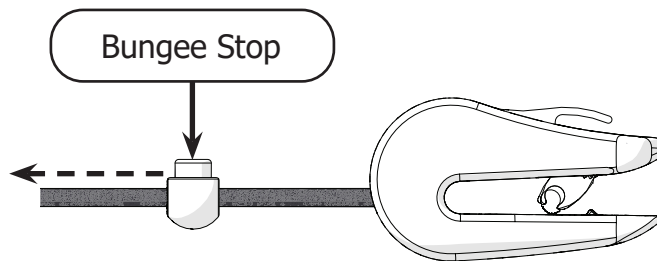


Task 10 - Attaching the Fabric (continued)

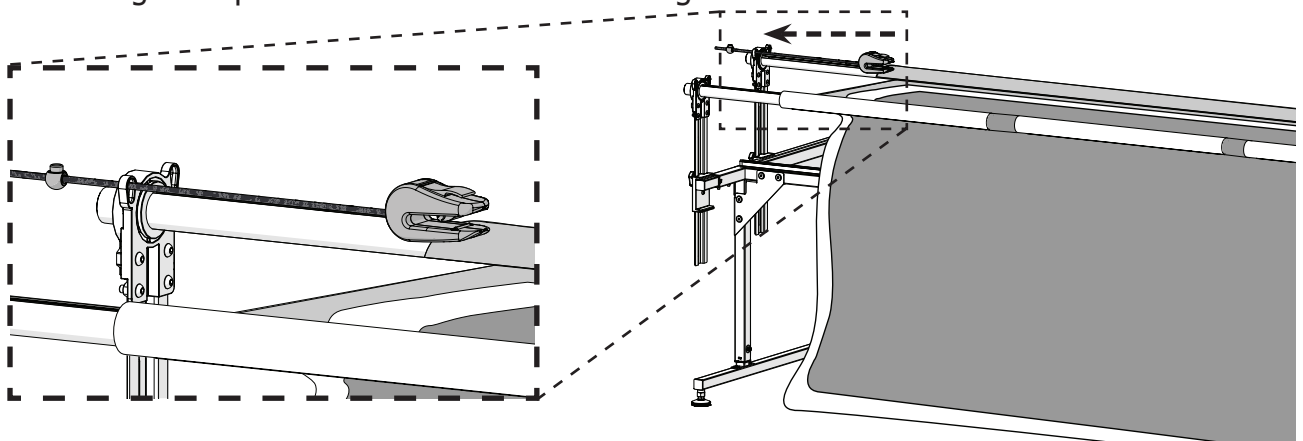
- 14 Secure the batting and quilt top to the quilt-backing rail with **C-clamps**.



- 15 Remove the bungee stop from one of the bungee clamps by pressing on the button and sliding it off the end of the bungee cord.

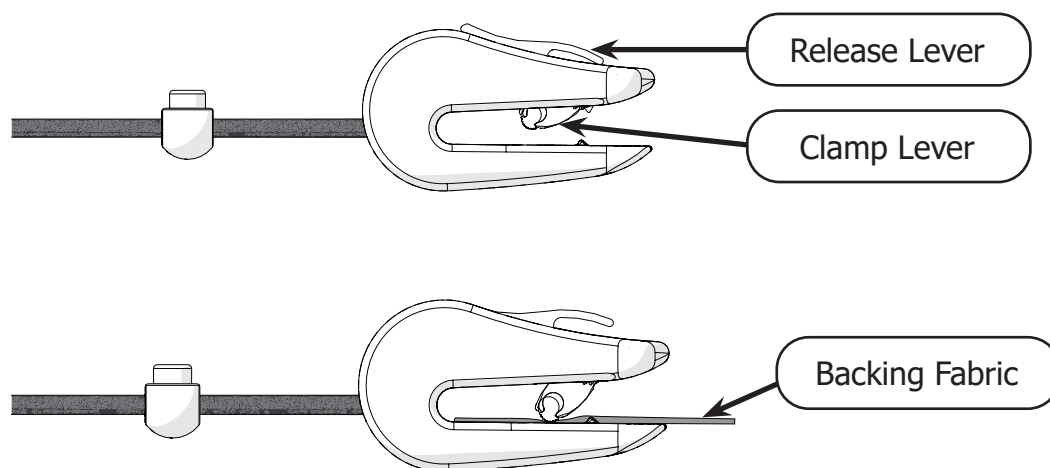


- 16 Insert the **bungee cord** into one of the holes in the top of a rail holder bracket. Pull the extra cord through the hole until there is just enough for the clamp to reach your fabric. Pull the cable down to hold its place in the rail holder bracket. Slide the bungee stop back onto the end of the bungee cord.



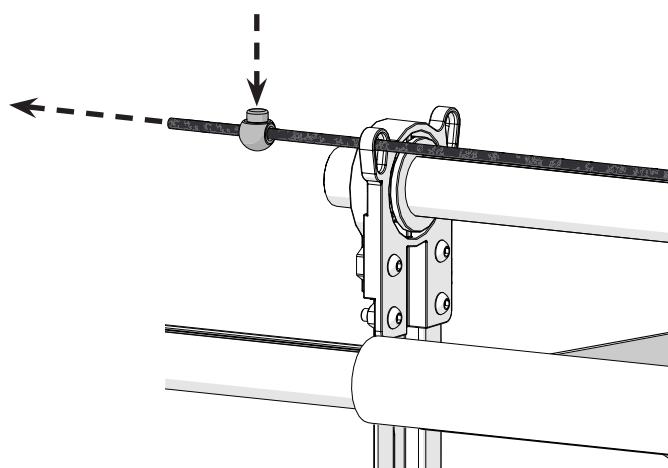
Task 10 - Attaching the Fabric (continued)

- 17 Open the clamp by pressing on the **release lever** on top of the clamp to open the **clamp lever**. Slide the clamp over the **backing fabric** and let go of the release lever to close the clamp.



Note: If the clamp is going to reach your batting, turn the clamp upside down so that the clamp lever grips the bottom of the backing and not the batting.

- 18 Tighten the bungee clamp by pressing the button on the **bungee stop** and pulling the cord away from the clamp until the side of the fabric is tight. Press the button again to release the tension.



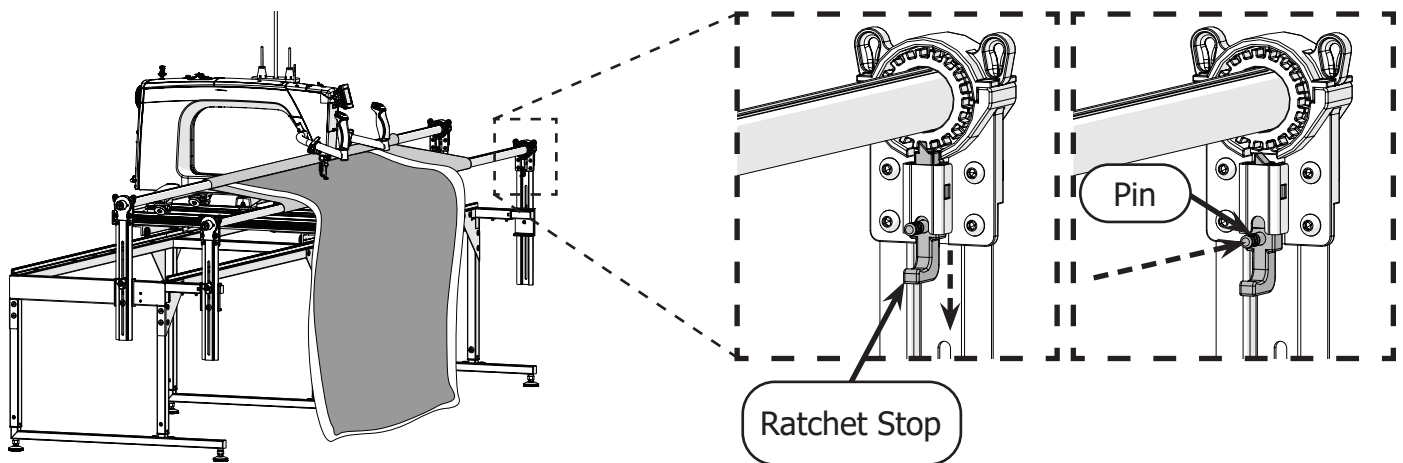
- 19 Repeat steps 14-16 with the other three bungee clamps and the other three rail holder brackets.

Task 11 - Using the Rails

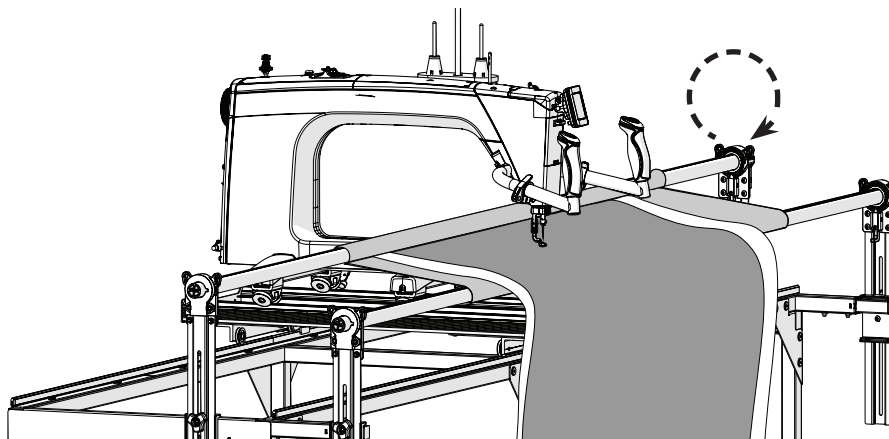
Instructions

When you have finished the available quilting space on your frame, it's time to roll the fabric. To do this, take the following steps:

- 1 Remove the clamp from the quilt-backing rail. Release the ratchet on the quilt-backing rail by pulling down on the **ratchet stop**. Push on the **pin** in the ratchet stop to hold it in the open position.

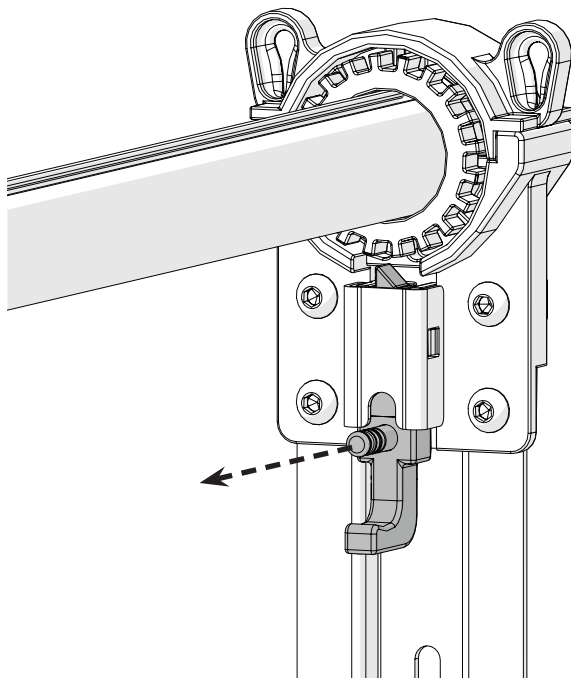


- 2 Turn the top of the take-up rail towards you to roll the fabric up onto the rail. Make sure to leave about an inch or two of the space you've already quilted visible to make sure your needle can reach your entire new quilting area.



Task 11 - Using the Rails (continued)

- 3 When you have finished rolling the fabric up to make your new quilting area, pull on the pin in the ratchet stop on the quilt-backing rail to close the ratchet. Replace the clamps to the quilt-backing rail and tack down the sides of your new quilting area.



The Grace Company
Phone: 1-800-264-0644
www.graceframe.com

